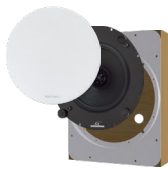




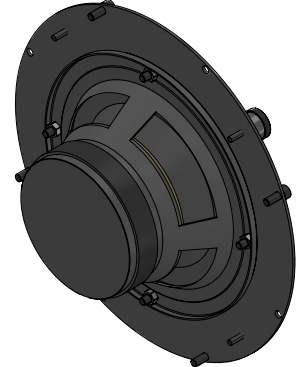
Plasterboard



Easy-Fit



Concrete wall



**SCAN OR CLICK TO EXTEND
YOUR GARVAN WARRANTY FOR FREE!**

3 years included, with the option to add
2 extra years at no additional cost.

OVERVIEW DESCRIPTION – UNIQUE DESCRIPTION PRODUCT

In-wall and in-ceiling 5.25" (130 mm), 100 W max, coaxial in-wall and in-ceiling speaker with steel mounting frame and speaker body, designed for optimal performance and durability, even in harsh environments. This product supports recessed installation with various integration solutions, including FiloMuro™, suitable for plasterboard and masonry walls, and EasyFit™, ideal for installation in plasterboard walls or other materials such as wood paneling, metal, and porcelain tiles, with thicknesses ranging from 4 to 40 mm. The 5.25" (130 mm) coaxial loudspeaker has a cataphoresis-treated magnetic assembly for corrosion resistance, a treated cellulose cone, a rubber surround, and a 0.5" (14 mm) neodymium tweeter concentrically aligned with the woofer for a balanced, linear sound throughout the frequency range and excellent intelligibility on vocals. Connection to the amplifier is via spring-loaded terminals that can accommodate cables up to AWG14 gauge. The aesthetic cover is securely attached by powerful neodymium magnets. The grille cover can be customized in various materials, including perforated steel that can be painted white tinted or prepainted according to RAL or NCS codes and even treated with galvanic effects. In addition, fabric covers can be used, which are available in a wide selection of textures and colors as shown in Garvan's sample books.

KEY FEATURES

3" (76 mm) Full-Range Driver

Compact speaker with treated cellulose cone and rubber surround for natural, balanced sound and excellent vocal clarity.

High SPL Output

Delivers up to 111.5 dB SPL @ 1m with 80 W max power.

Wide Frequency Response

88 Hz – 20 kHz (-10 dB), ideal for background music and speech.

Marine-Grade Durability

Steel frame and phenolic marine plywood backbox, designed to withstand harsh environments.

FiloMuro™ Masonry Installation

Seamless flush-mount system for brick or concrete walls, with

steel frame and integrated formwork.

EasyFit™ Compatibility

Tool-free front installation on panels from 4 to 40 mm, including drywall, wood, metal, and porcelain tiles.

Flexible Aesthetic Integration

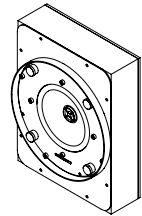
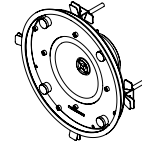
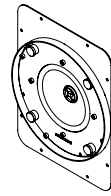
Interchangeable grille secured with neodymium magnets, customizable in perforated steel, galvanic finishes, or fabric.

Quick Connection System

Spring-loaded terminals compatible with cables up to AWG14.

Invisible or Decorative Finish

Can disappear when painted the same color as the wall or stand out as a design element.



INSTALLATION NAME	Flush-Mount™ Plasterboard	Easy-Fit™	Flush-Mount™ Concrete wall
Installation Type	In Wall / In Ceiling Speaker, free air	In Wall / In Ceiling Speaker, free air	In Wall / In Ceiling Speaker, Closed box
Surface Compatibility	Suitable for installation in Plasterboard, wooden panels, modular panel, and similar.	Suitable for installation in Plasterboard, wooden panels, modular panel, and similar.	Suitable for installation in Concrete Wall and similar.
Installation Requirements	Required support thickness: 12,5- 25mm	Required support thickness: 4-40mm	Minimum required wall thickness: 90mm
SINGLE LOUDSPEAKER PERFORMANCE			
AES Power Handling	50 W	50 W	50 W
Continuous Power Handling ***	100 W	100 W	100 W
Sensitivity 2,83V / 1m ****	88 dB	88 dB	89 dB
Sensitivity 1W/1m ****	88 dB	88 dB	89 dB
Calculated Maximum SPL @ 1m*	117 dB	117 dB	118 dB
TRANSDUCER			
Type	Coaxial	Coaxial	Coaxial
Nominal size	WF 130 mm + TW 14mm	WF 130 mm + TW 14mm	WF 130 mm + TW 14mm
Nominal Impedance	8Ω	8Ω	8Ω
Loudspeaker EQ	Not required, Garvan Preset EQ, Filter and protection available	Not required, Garvan Preset EQ, Filter and protection available	Not required, Garvan Preset EQ, Filter and protection available
Recommended High-Pass Filter Protection	70 Hz with 48 dB/ Oct. High pass Filter	70 Hz with 48 dB/ Oct. High pass Filter	70 Hz with 48 dB/ Oct. High pass Filter
Frequency Response (-3 dB)	95 Hz – 20 kHz **	95 Hz – 20 kHz **	100 Hz – 20 kHz **
Frequency Range (-10 dB)	54 Hz - 20 kHz	54 Hz - 20 kHz	85 Hz - 20 kHz
Nominal Coverage Angle (1 KHz - 4 kHz)	110°	110°	110°
Nominal Coverage (1 KHz – 10 kHz)	90°	90°	90°
PHYSICAL			
Frame Material	zinc-plated metal	zinc-plated metal	"zinc-plated metal + phenolic multilayer wood"
Speaker support Material	Lacquered or galvanic metal support	Lacquered or galvanic metal support	Lacquered or galvanic metal support
Cover	Lacquered or galvanic metal Grille/ Brushed stainless steel Grille / Fabric covered frame.	Lacquered or galvanic metal Grille/ Brushed stainless steel Grille / Fabric covered frame.	Lacquered or galvanic metal Grille/ Brushed stainless steel Grille / Fabric covered frame.

ENVIRONMENTAL FEATURES			
Environment of Use	Indoor environments	Indoor environments	Indoor environments
Operating Temperature Range *****			
environmental protection.			
Connectors	Push connector, mounted on speaker. Accepts 18 AWG (0.8 mm ²) to 15 AWG (2,08 mm ²) size wire.	Push connector, mounted on speaker. Accepts 18 AWG (0.8 mm ²) to 15 AWG (2,08 mm ²) size wire.	Push connector, mounted on speaker. Accepts 18 AWG (0.8 mm ²) to 15 AWG (2,08 mm ²) size wire.
Maximum Ceiling Thickness			
Product Dimensions			
Ceiling Cutout			
Net Weight, Frame			
Net Weight, Loudspeaker			
Net Weight, Cover			
LOGISTICAL DATA			
Packaging dimensions			
Shipping Weight			
Quantity of products per package	1 to 2 based on logistics optimization per shipment	1 to 2 based on logistics optimization per shipment	1 to 2 based on logistics optimization per shipment
MAINTENANCE			
Cleaning Method	microfiber cloth	microfiber cloth	microfiber cloth
General precautions	do not use harsh cleaning products	do not use harsh cleaning products	do not use harsh cleaning products
INCLUDED ACCESSORIES			
	Jig set	Jig set	Jig set
OPTIONAL ACCESSORIES			
Transformer for high line voltage	TRT052 - 70/100V - 25/37/50W	TRT052 - 70/100V - 25/37/50W	TRT052 - 70/100V - 25/37/50W
Transformer for high line voltage	TRT054 - 70/100V - 10/15/20W	TRT054 - 70/100V - 10/15/20W	TRT054 - 70/100V - 10/15/20W
Cover installation kit	GAR136	GAR136	GAR136
Sound-absorbing material kit for installation			
Cable size/load	8 ohm	4 ohm	2 ohm
2 sq mm.	20m / 65ft.	10m / 32ft	5m / 16ft
2,5 sq mm.	30m / 100ft.	15m / 50ft	7,5m / 25ft
4 sq mm.	60m / 200ft.	30m / 100ft	15m / 50ft

NOTES:

* Maximum SPL calculated from sensitivity and power handling specifications, using a signal with crest factor 4 (12dB), exclusive of power compression.

** With dedicated preset

*** Power on Continuous Program is defined as 3 dB greater than the Nominal rating.

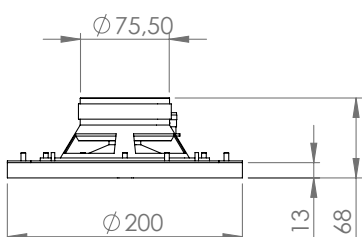
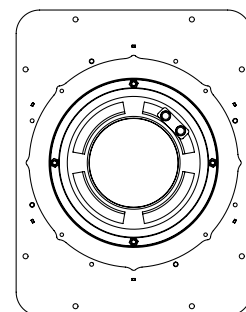
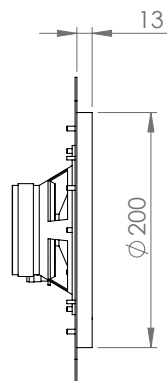
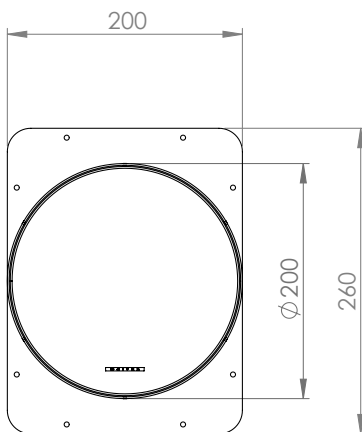
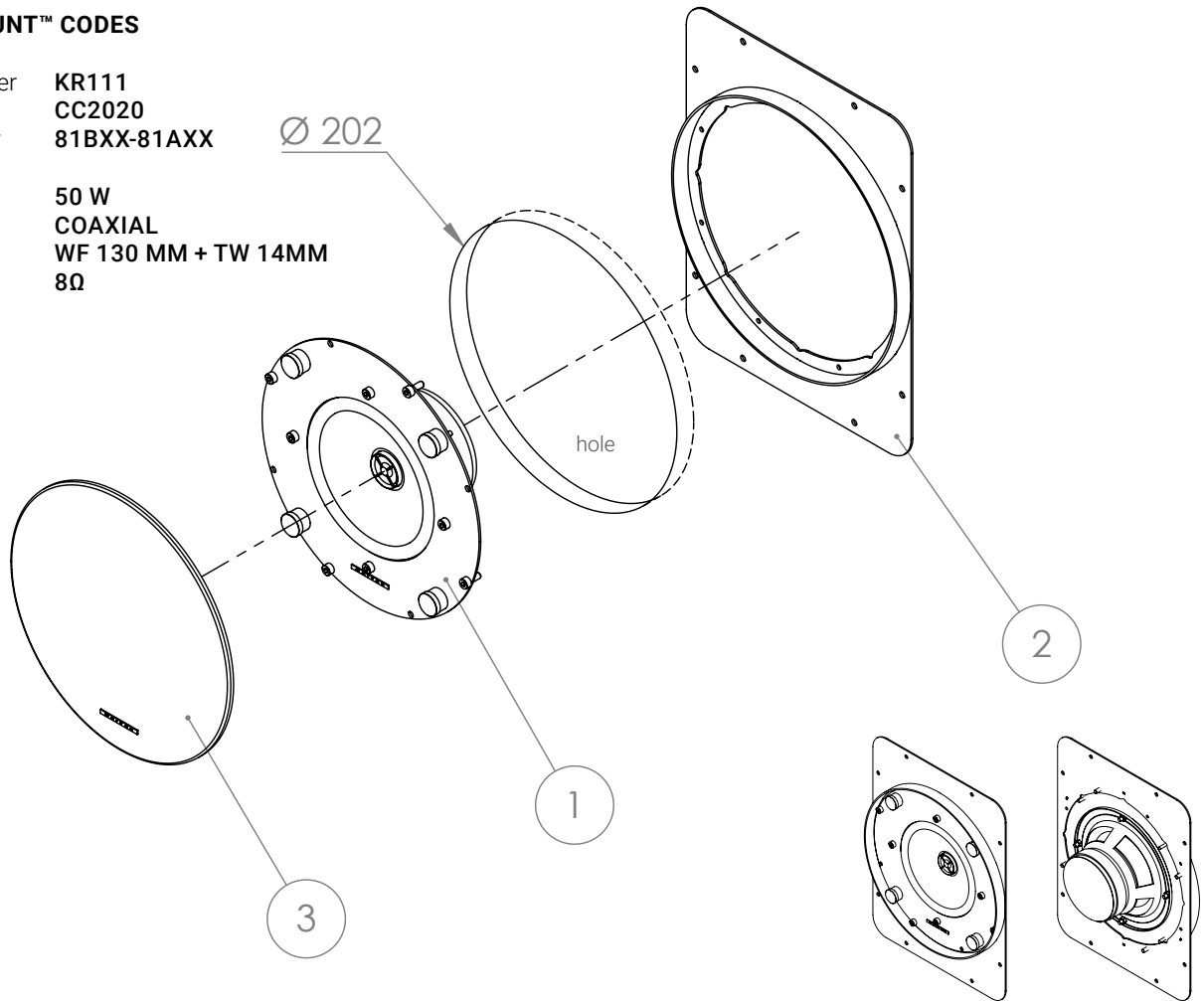
**** average SPL measured from 200 Hz to 1,5 kHz

***** With dedicated ignition and maintenance process

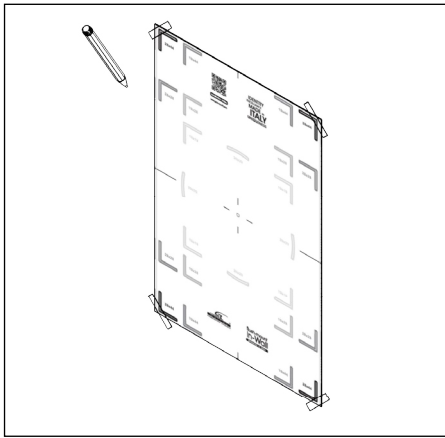
FLUSH-MOUNT™ CODES

1 Loudspeaker **KR111**
 2 Frame **CC2020**
 3 Front cover **81BXX-81AXX**

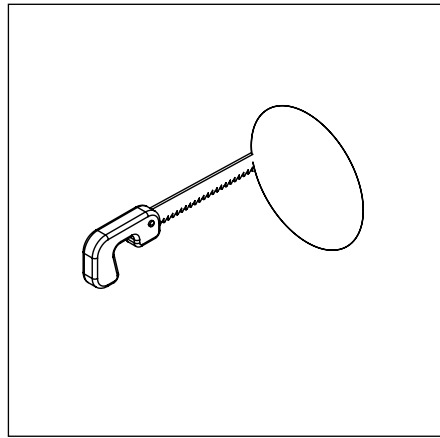
AES POWER **50 W**
 TYPE **COAXIAL**
 NOM. SIZE **WF 130 MM + TW 14MM**
 NOM. IMP. **8Ω**



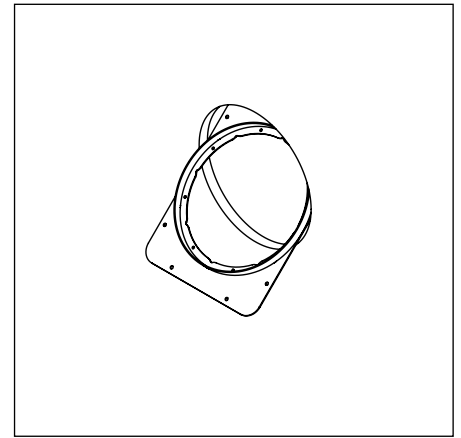
INST. INSTRUCTIONS KR111 / CC2020 Flush-Mount™ Plasterboard



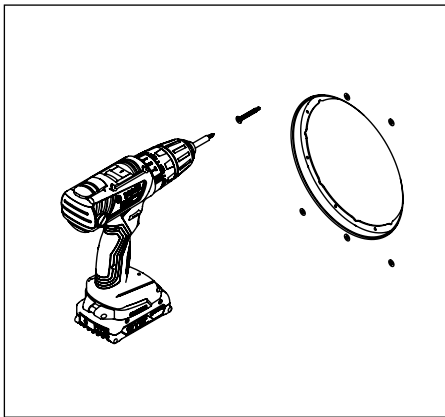
1 Jig set



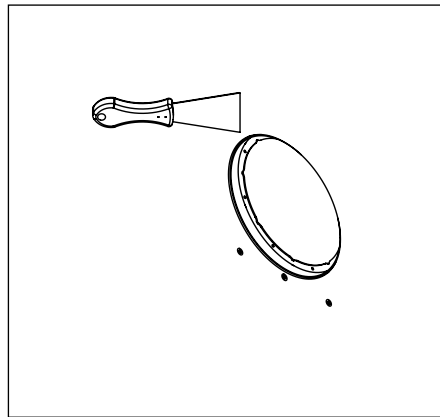
2



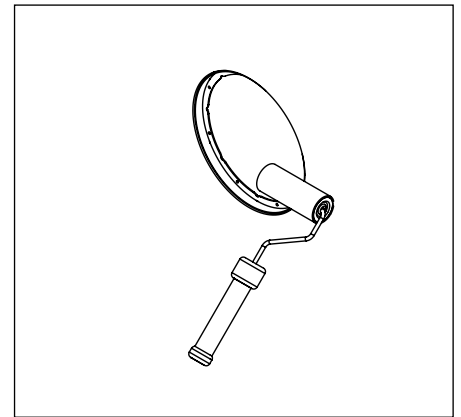
3



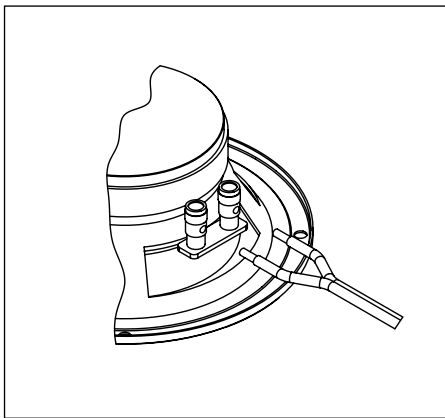
4



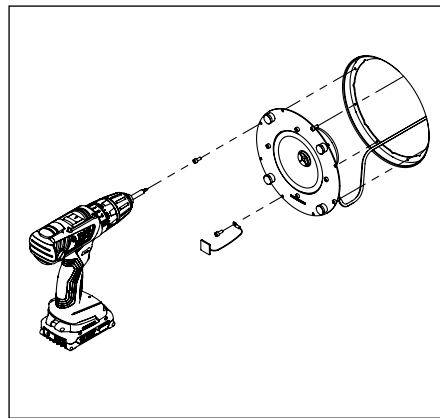
5



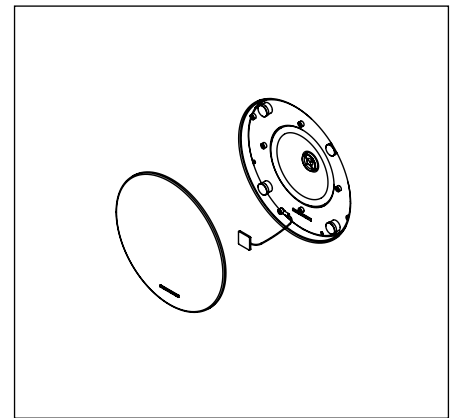
6



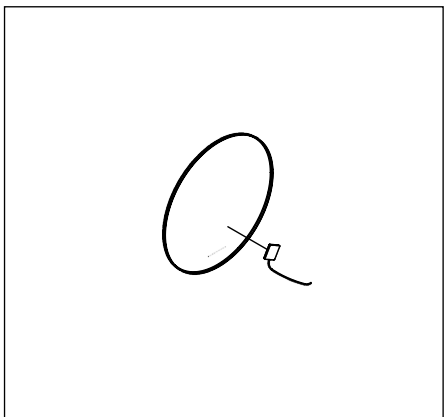
7



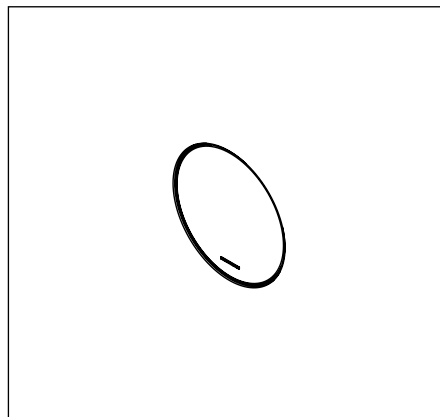
8



9



10



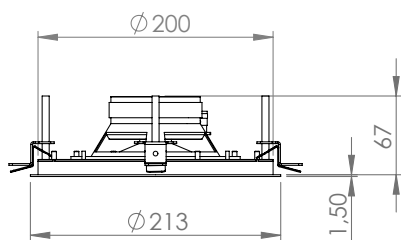
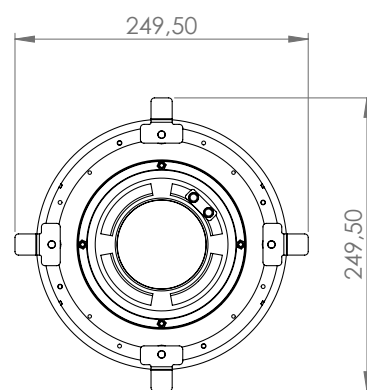
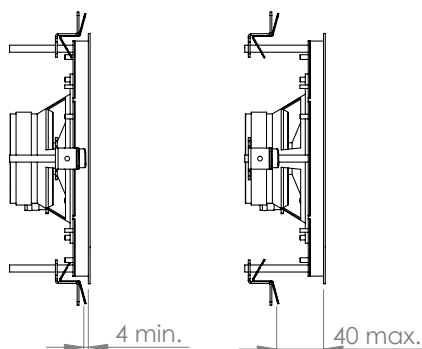
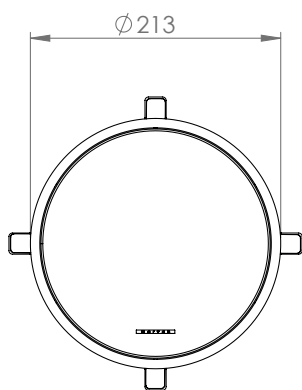
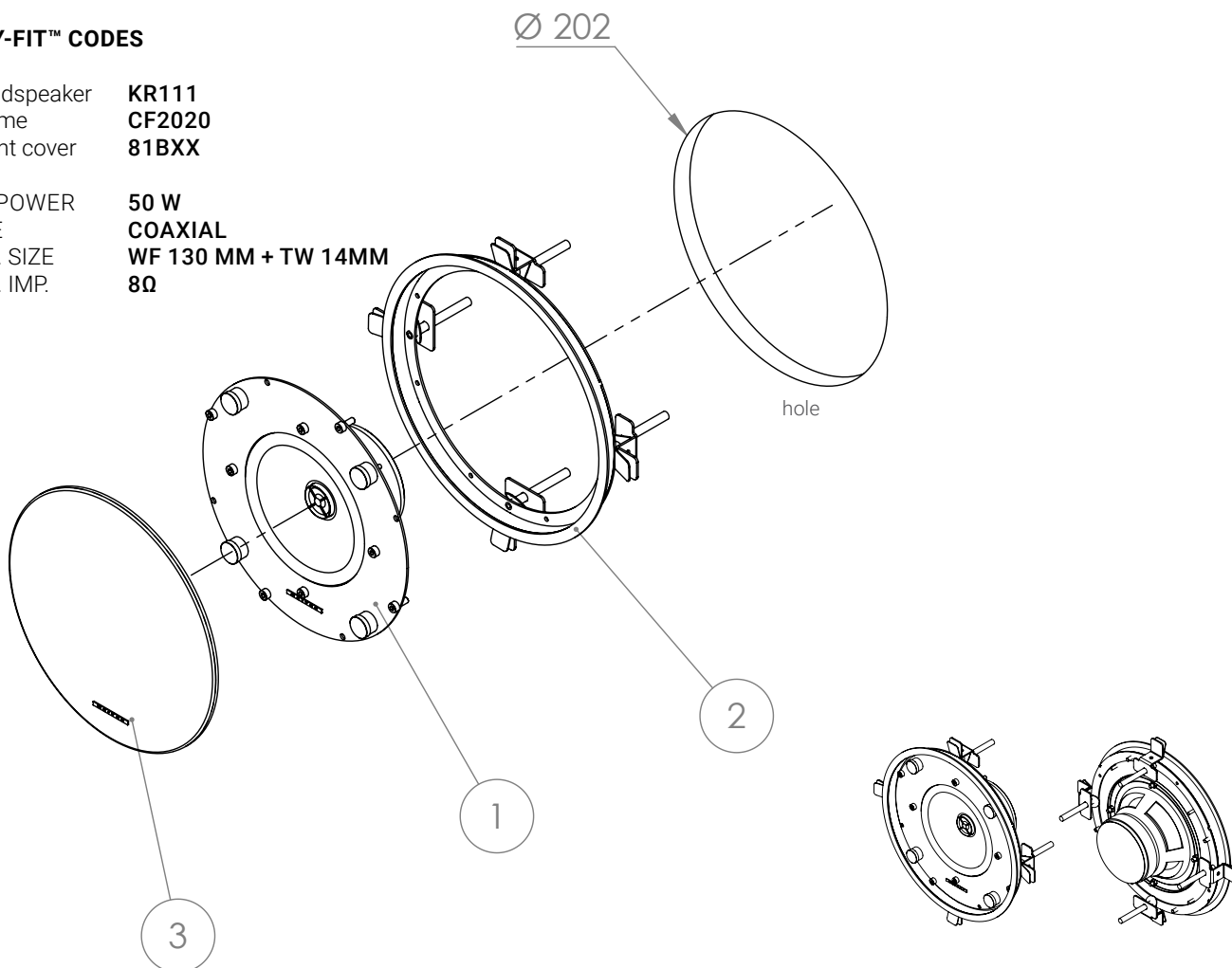
11



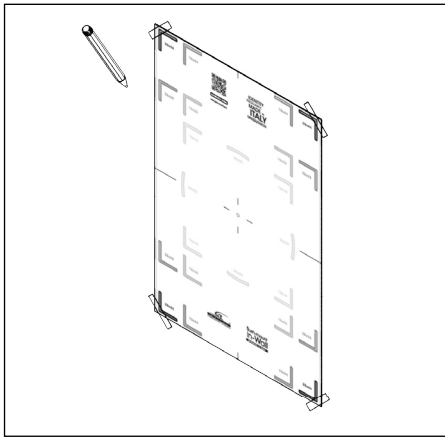
EASY-FIT™ CODES

1 Loudspeaker **KR111**
2 Frame **CF2020**
3 Front cover **81BXX**

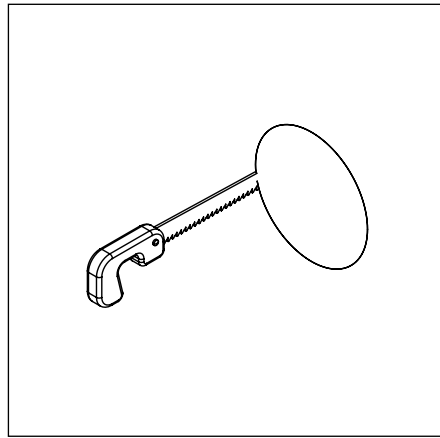
AES POWER **50 W**
TYPE **COAXIAL**
NOM. SIZE **WF 130 MM + TW 14MM**
NOM. IMP. **8Ω**



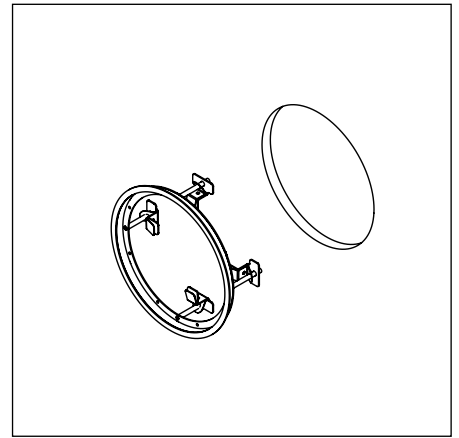
INSTALLATION INSTRUCTIONS KR111 / CF2020 Easy-fit™



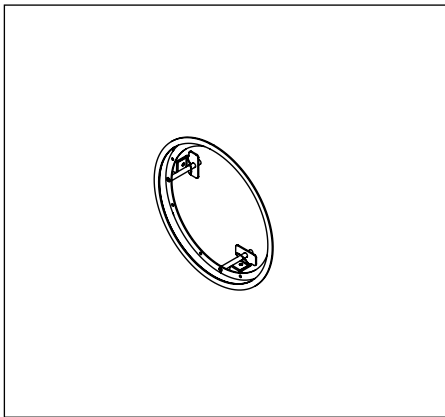
1 Jig set



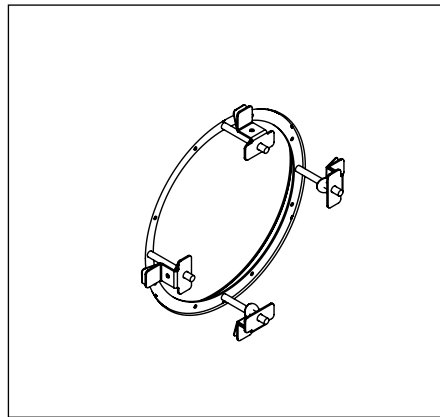
2



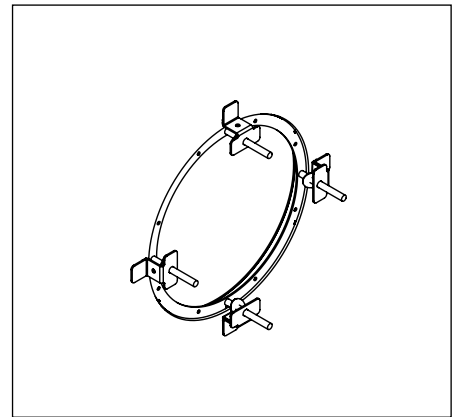
3



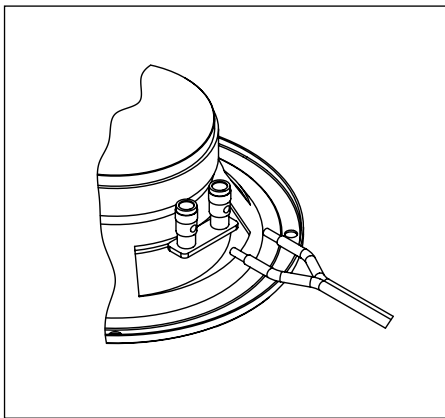
4



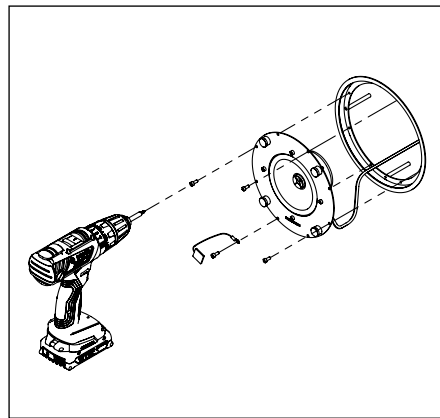
5



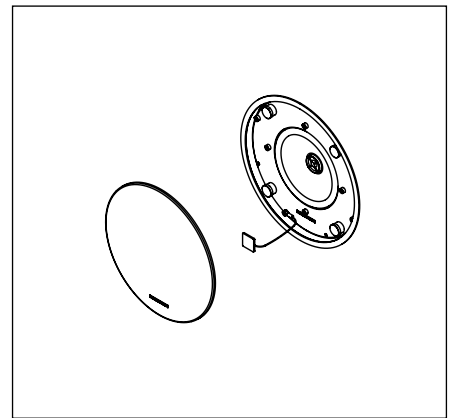
6



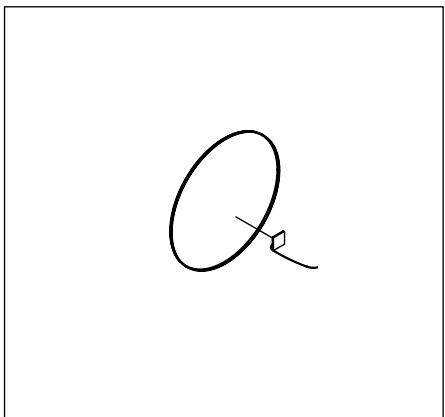
7



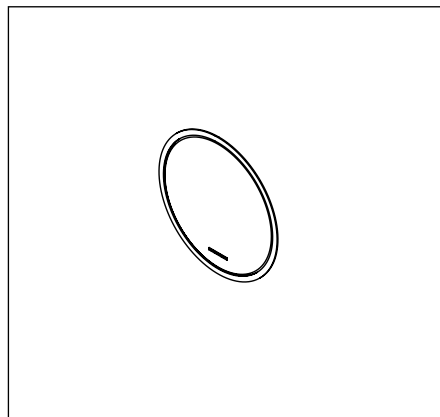
8



9



10



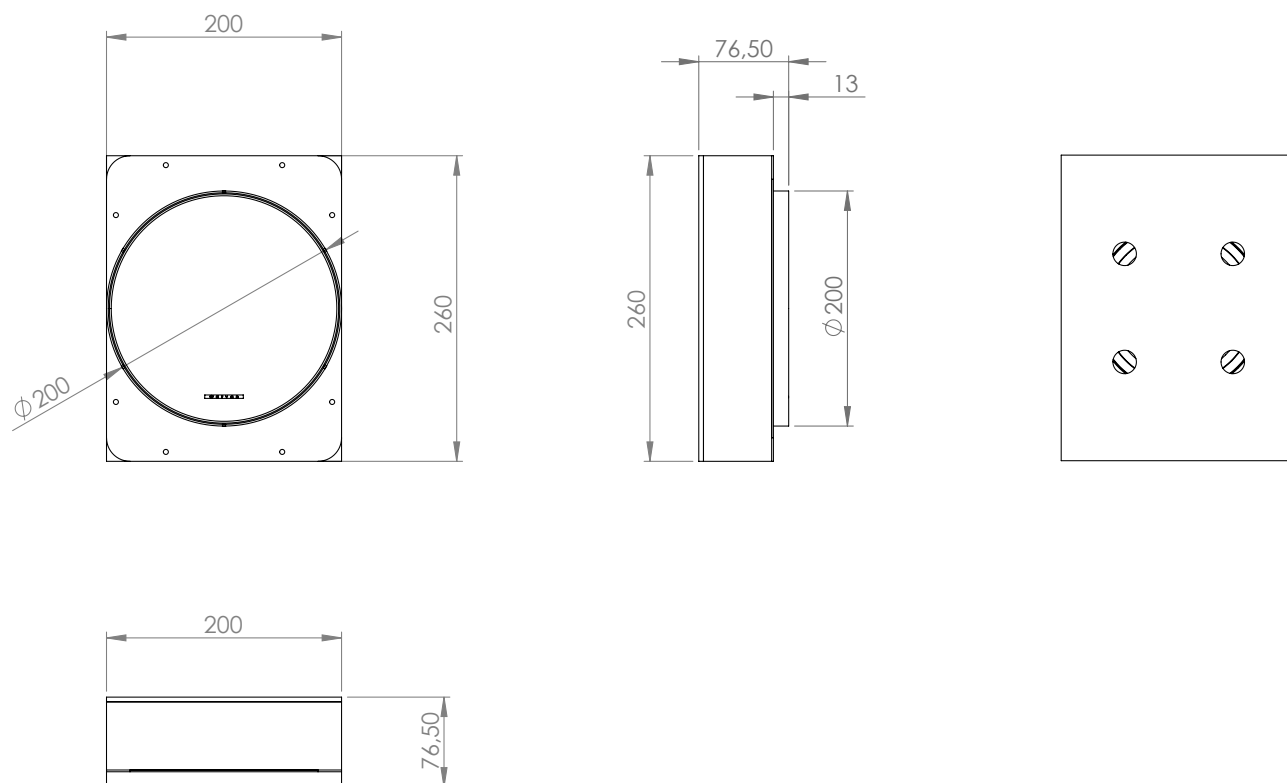
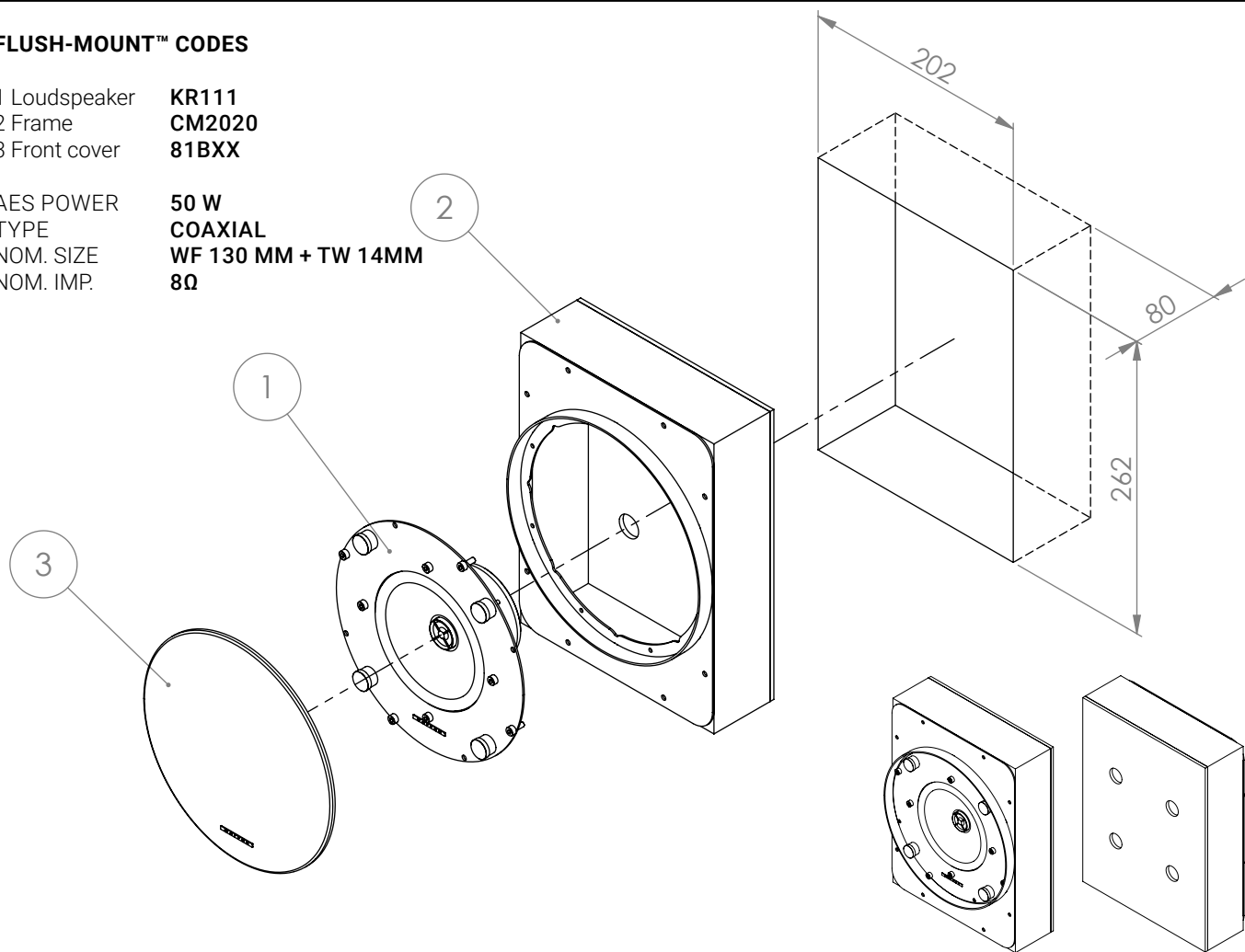
11



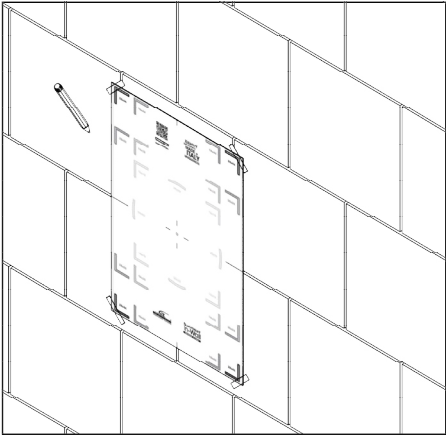
FLUSH-MOUNT™ CODES

1 Loudspeaker **KR111**
 2 Frame **CM2020**
 3 Front cover **81BXX**

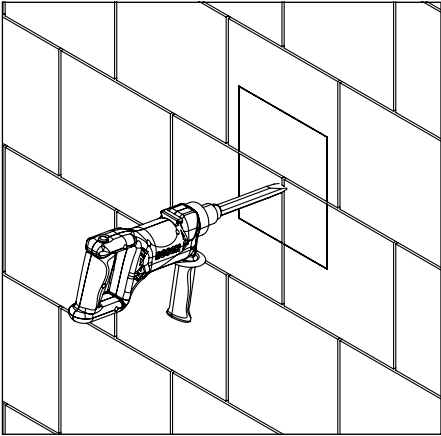
AES POWER **50 W**
 TYPE **COAXIAL**
 NOM. SIZE **WF 130 MM + TW 14MM**
 NOM. IMP. **8Ω**



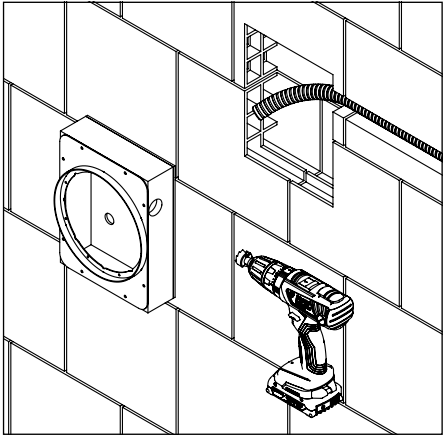
INST. INSTRUCTIONS KR111 / CM2020 Flush-Mount™ Concrete wall



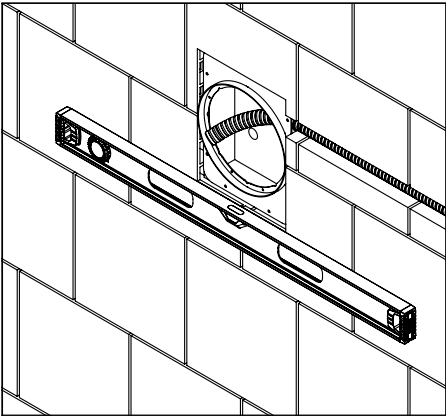
1 Jig set



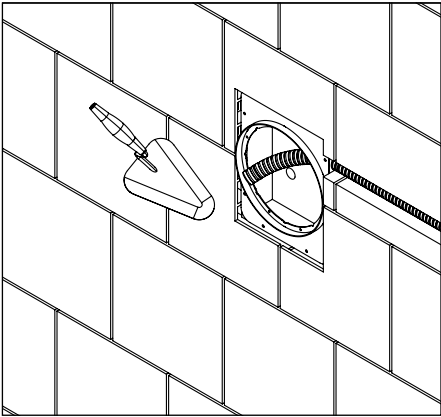
2



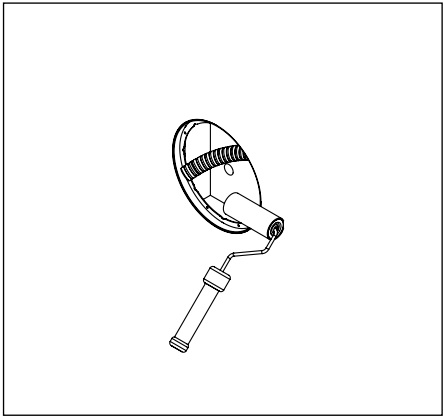
3



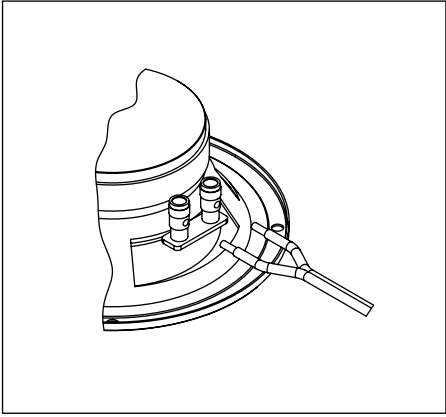
4



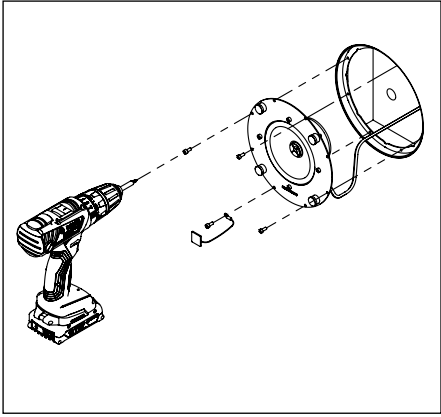
5



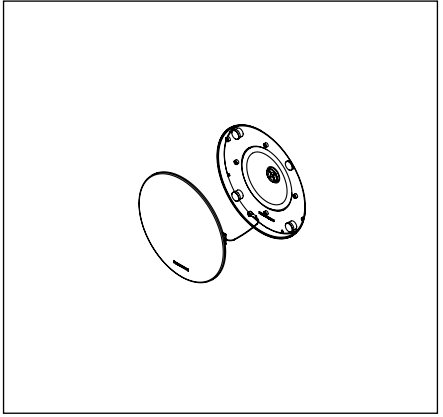
6



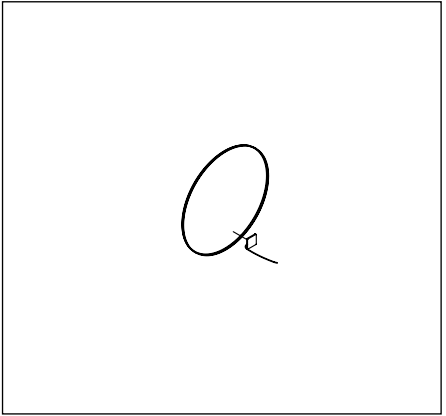
7



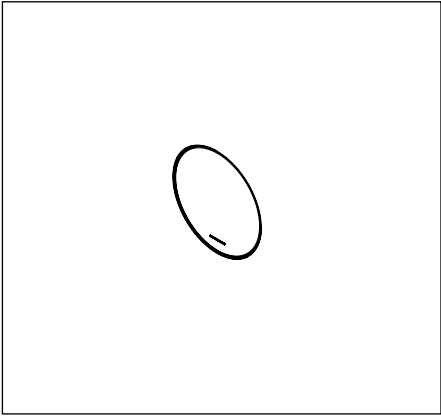
8



9



10



11

