

**SCAN OR CLICK TO EXTEND
YOUR GARVAN WARRANTY FOR FREE!**

3 years included, with the option to add
2 extra years at no additional cost.

OVERVIEW DESCRIPTION – UNIQUE DESCRIPTION PRODUCT

The Garvan KW109 is a compact full-range loudspeaker from the Coro™ Collection, designed for bookshelf, on-wall, and on-ceiling installations in indoor environments. Featuring a single 76 mm driver housed in a closed-box aluminium cylindrical cabinet, it delivers clear and balanced sound with wide dispersion and controlled frequency response. The aluminium enclosure ensures structural rigidity, reduced resonance, and a lightweight design, while its cylindrical form allows discreet and elegant integration into architectural spaces. Thanks to its compact size and versatile installation options, the KW109 is ideal for residential and professional applications where minimal visual impact and reliable sound performance are required.

KEY FEATURES

Compact full-range loudspeaker with 1 × 76 mm driver

Power handling: 40 W AES / 80 W continuous

Sensitivity: 88 dB (2.83V/1m and 1W/1m)

Maximum SPL: 116 dB @ 1 m

Frequency response: 115 Hz – 16 kHz (–3 dB)

Extended range: 88 Hz – 20 kHz (–10 dB)

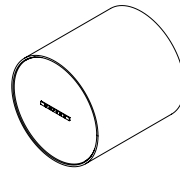
Wide coverage: >120° (1–4 kHz) / 90° (1–10 kHz)

Closed-box aluminium cylindrical cabinet for controlled and precise sound reproduction

Installation versatility: bookshelf, on-wall, or on-ceiling; suitable for concrete, plasterboard, wooden, and modular panels

Connectors: push connectors, accepts 18 AWG to 15 AWG wires

Extended warranty: 3+1+1 years with free registration



NAME INSTALLATION	On-wall
Type Installation	Bookshelf / On-Wall / On-Ceiling Speaker, closed box
Surface Compatibility	Suitable for installation in, concrete wall, Plasterboard, wooden panels, modular panel, and similar.
Installation Requirements:	Support thickness suitable for product weight
SINGLE LOUDSPEAKER PERFORMANCE	
AES Power Handling	40 W
Continuous Power Handling ***	80 W
Sensitivity 2,83V / 1m ****	88 dB
Sensitivity 1W/1m ****	88 dB
Calculated Maximum SPL @ 1m*	116 dB
TRANSDUCER	
Type	Full Range
Nominal size	1x 76mm
Nominal Impedance	8Ω
Loudspeaker EQ	Not required, Garvan Preset EQ, Filter and protection available
Recommended High-Pass Filter Protection	80 Hz with 48 dB/Oct. High pass Filter
Frequency Response (-3 dB)	115 Hz – 16 kHz **
Frequency Range (-10 dB)	88 Hz – 20 kHz
Nominal Coverage Angle (1 KHz - 4 kHz)	> 120°
Nominal Coverage (1 KHz – 10 kHz)	90°
PHYSICAL	
Cabinet Material	Aluminium
Speaker support Material	Lacquered metal support
Cover	Lacquered or galvanic metal Grille Brushed stainless steel Grille
ENVIRONMENTAL FEATURES	
Environment of Use	Indoor environments
Operating Temperature Range *****	
environmental protection.	
Connectors	Push connector, mounted on speaker. Accepts 18 AWG (0.8 mm ²) to 15 AWG (2,08 mm ²) size wire.
Maximum Ceiling Thickness	
Product Dimensions	
Ceiling Cutout	
Net Weight, Frame	
Net Weight, Loudspeaker	
Net Weight, Cover	

LOGISTICAL DATA			
Packaging dimensions			
Shipping Weight			
Quantity of products per package	1 to 2 based on logistics optimization per shipment		
MAINTENANCE			
Cleaning Method	microfiber cloth		
General precautions	do not use harsh cleaning products		
INCLUDED ACCESSORIES			
OPTIONAL ACCESSORIES			
Transformer for high line voltage	TRT052 – 70/100V - 25/37/50W		
Transformer for high line voltage	TRT054 – 70/100V - 10/15/20W		
Cover installation kit	GAR136		
Cable size/load	8 ohm	4 ohm	2 ohm
2 sq mm.	20m / 65ft.	10m / 32ft	5m / 16ft
2,5 sq mm.	30m / 100ft.	15m / 50ft	7,5m / 25ft
4 sq mm.	60m / 200ft.	30m / 100ft	15m / 50ft

NOTES:

* Maximum SPL calculated from sensitivity and power handling specifications, using a signal with crest factor 4 (12dB), exclusive of power compression.

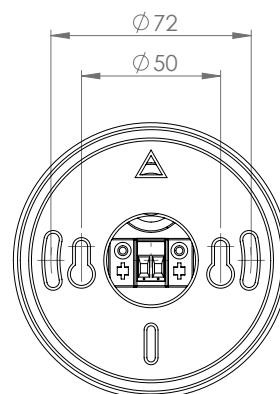
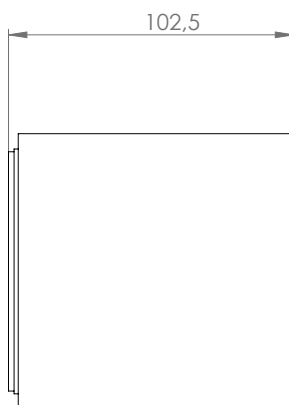
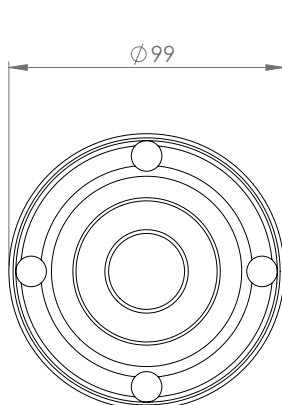
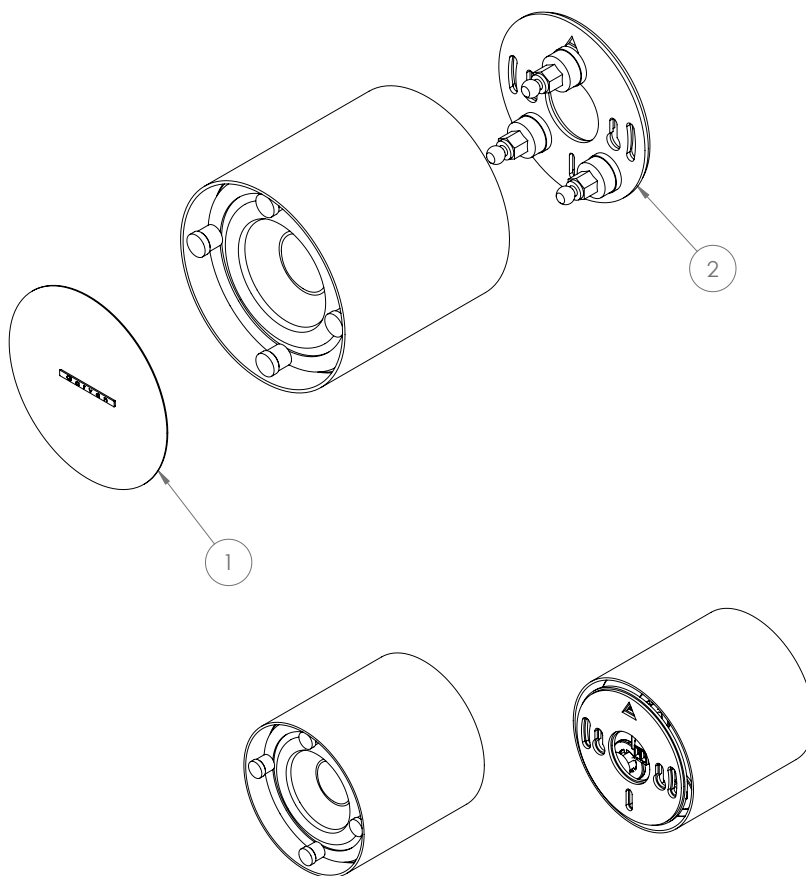
** With dedicated preset

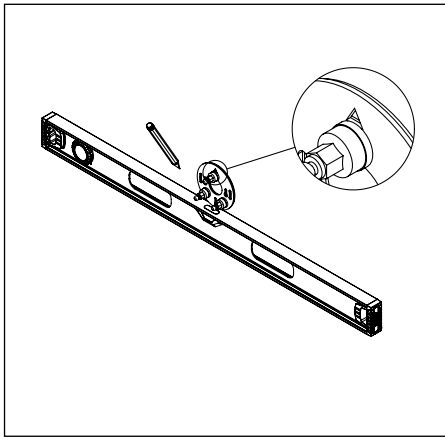
*** Power on Continuous Program is defined as 3 dB greater than the Nominal rating.

**** average SPL measured from 200 Hz to 1,5 kHz

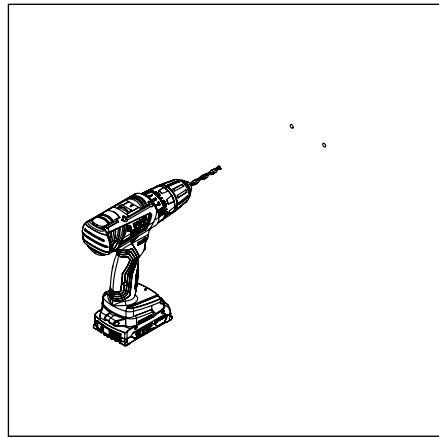
***** With dedicated ignition and maintenance process

KW109
AES POWER **40 W**
TYPE **FULL RANGE**
NOM. SIZE **1x 76mm**
NOM. IMP. **8Ω**

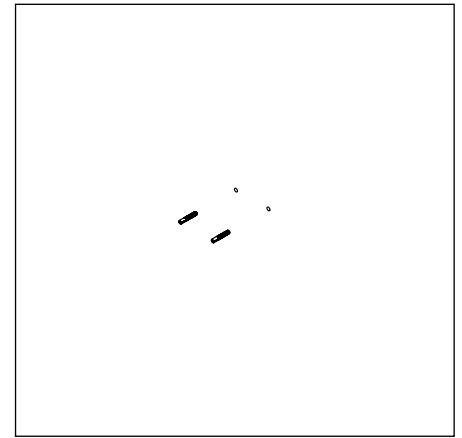




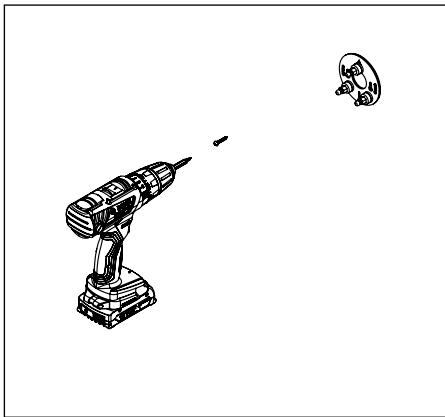
1 Jig set



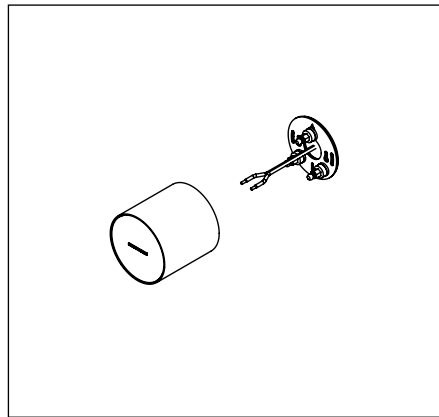
2



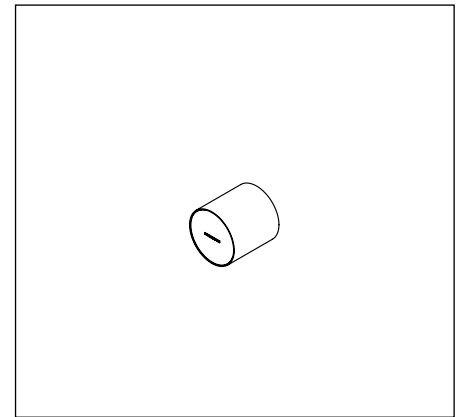
3



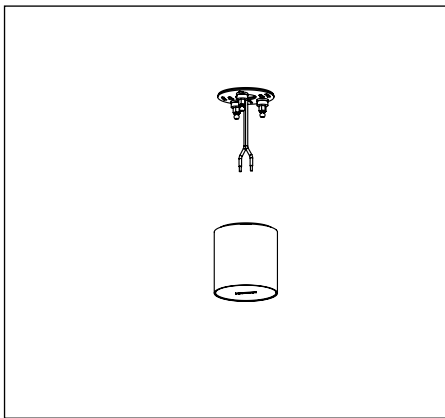
4



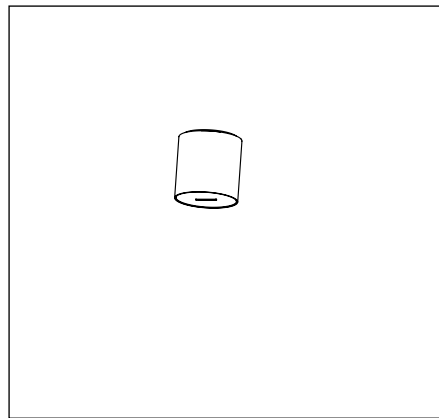
5



6



7



8