

**SCAN OR CLICK TO EXTEND
YOUR GARVAN WARRANTY FOR FREE!**

3 years included, with the option to add
2 extra years at no additional cost.

OVERVIEW DESCRIPTION – UNIQUE DESCRIPTION PRODUCT

The Garvan KW110 is a compact full-range loudspeaker from the Coro™ Collection, designed for bookshelf, on-wall, and on-ceiling installations in indoor environments.

Featuring a single 76 mm driver in a closed-box aluminium enclosure, it delivers clear and balanced sound with wide dispersion and controlled acoustic performance. The aluminium cabinet provides structural rigidity and reduced resonance while maintaining a lightweight and refined design, ideal for seamless architectural integration.

KEY FEATURES

Compact full-range loudspeaker with 1 × 76 mm driver

Power handling: 40 W AES / 80 W continuous

Sensitivity: 88 dB (2.83V/1m and 1W/1m)

Maximum SPL: 116 dB @ 1 m

Frequency response: 115 Hz – 16 kHz (–3 dB)

Extended range: 88 Hz – 20 kHz (–10 dB)

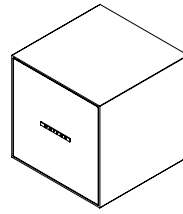
Wide coverage: >120° (1–4 kHz) / 90° (1–10 kHz)

Closed-box aluminium cabinet for controlled and precise sound reproduction

Installation versatility: bookshelf, on-wall, or on-ceiling; suitable for concrete, plasterboard, wooden, and modular panels

Connectors: push connectors, accepts 18 AWG to 15 AWG wires

Extended warranty: 3+1+1 years with free registration



NAME INSTALLATION	On-wall
Type Installation	Bookshelf / On-Wall / On-Ceiling Speaker, closed box
Surface Compatibility	Suitable for installation in, concrete wall, Plasterboard, wooden panels, modular panel, and similar.
Installation Requirements:	Support thickness suitable for product weight
SINGLE LOUDSPEAKER PERFORMANCE	
AES Power Handling	40 W
Continuous Power Handling ***	80 W
Sensitivity 2,83V / 1m ****	88 dB
Sensitivity 1W/1m ****	88 dB
Calculated Maximum SPL @ 1m*	116 dB
TRANSDUCER	
Type	Full Range
Nominal size	1x 76mm
Nominal Impedance	8Ω
Loudspeaker EQ	Not required, Garvan Preset EQ, Filter and protection available
Recommended High-Pass Filter Protection	80 Hz with 48 dB/Oct. High pass Filter
Frequency Response (-3 dB)	115 Hz – 16 kHz **
Frequency Range (-10 dB)	88 Hz – 20 kHz
Nominal Coverage Angle (1 KHz - 4 kHz)	> 120°
Nominal Coverage (1 KHz – 10 kHz)	90°
PHYSICAL	
Cabinet Material	Aluminium
Speaker support Material	Lacquered metal support
Cover	Lacquered or galvanic metal Grille Brushed stainless steel Grille
ENVIRONMENTAL FEATURES	
Environment of Use	Indoor environments
Operating Temperature Range *****	
environmental protection.	
Connectors	Push connector, mounted on speaker. Accepts 18 AWG (0.8 mm ²) to 15 AWG (2,08 mm ²) size wire.
Maximum Ceiling Thickness	
Product Dimensions	
Ceiling Cutout	
Net Weight, Frame	
Net Weight, Loudspeaker	
Net Weight, Cover	

LOGISTICAL DATA			
Packaging dimensions			
Shipping Weight			
Quantity of products per package	1 to 2 based on logistics optimization per shipment		
MAINTENANCE			
Cleaning Method	microfiber cloth		
General precautions	do not use harsh cleaning products		
INCLUDED ACCESSORIES			
OPTIONAL ACCESSORIES			
Transformer for hight line voltage	TRT052 – 70/100V - 25/37/50W		
Transformer for hight line voltage	TRT054 – 70/100V - 10/15/20W		
Cover installation kit	GAR136		
Cable size/load	8 ohm	4 ohm	2 ohm
2 sq mm.	20m / 65ft.	10m / 32ft	5m / 16ft
2,5 sq mm.	30m / 100ft.	15m / 50ft	7,5m / 25ft
4 sq mm.	60m / 200ft.	30m / 100ft	15m / 50ft

NOTES:

* Maximum SPL calculated from sensitivity and power handling specifications, using a signal with crest factor 4 (12dB), exclusive of power compression.

** With dedicated preset

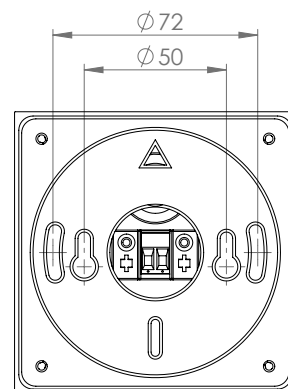
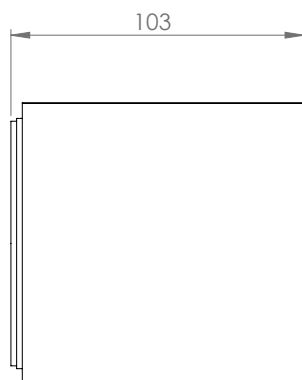
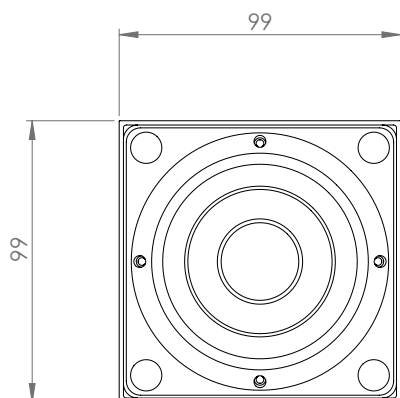
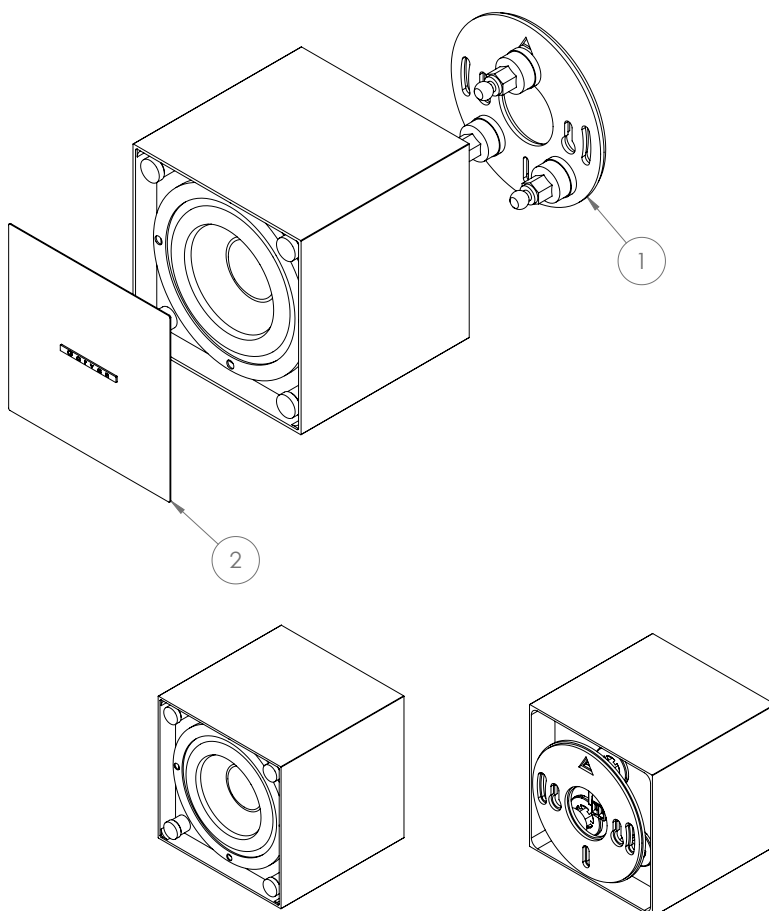
*** Power on Continuous Program is defined as 3 dB greater than the Nominal rating.

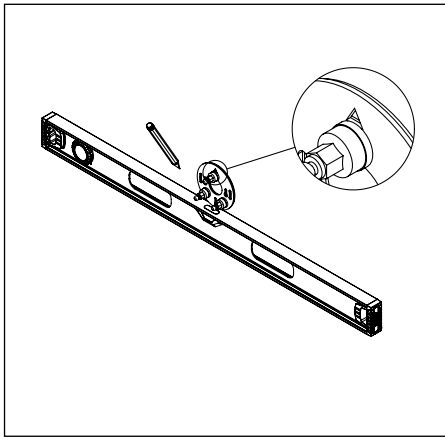
**** average SPL measured from 200 Hz to 1,5 kHz

***** With dedicated ignition and maintenance process

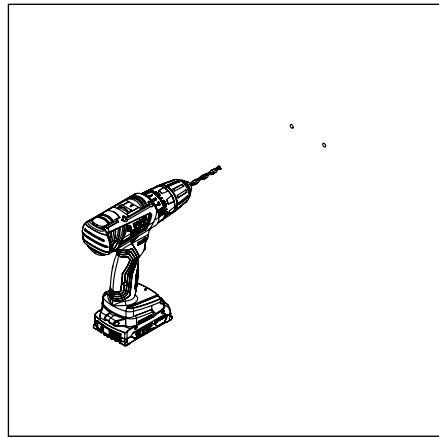
KW110

AES POWER **40 W**
 TYPE **FULL RANGE**
 NOM. SIZE **1x 76mm**
 NOM. IMP. **8Ω**

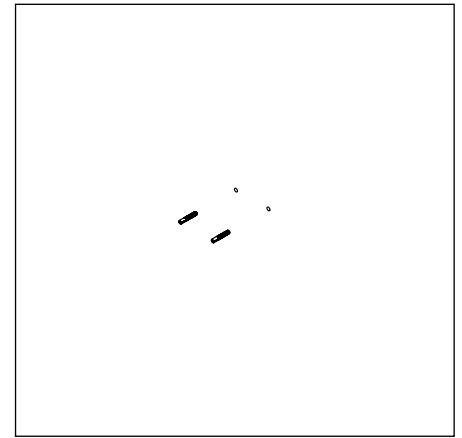




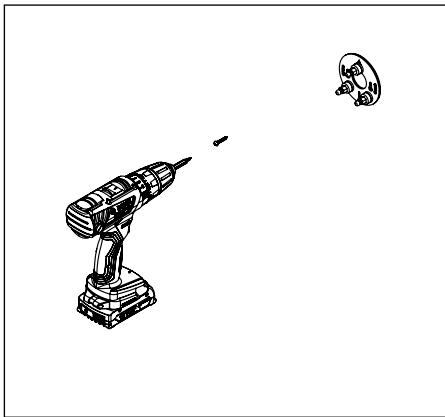
1 Jig set



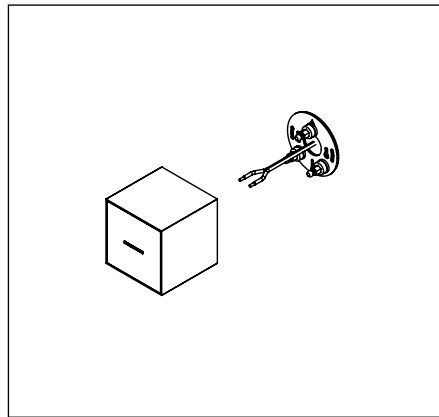
2



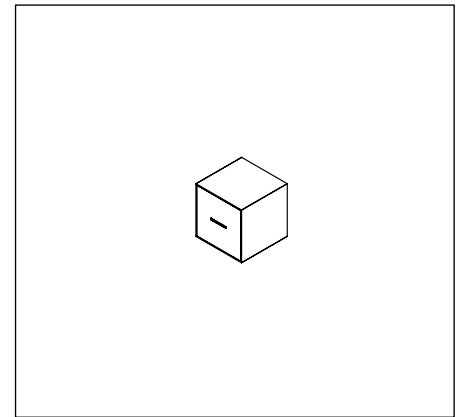
3



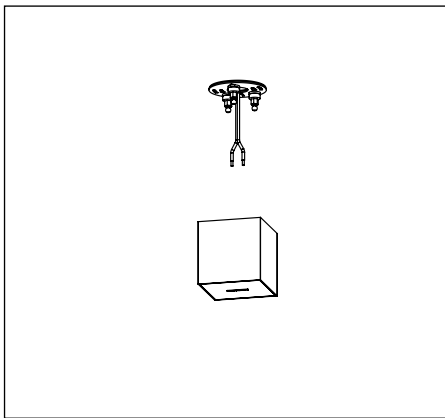
4



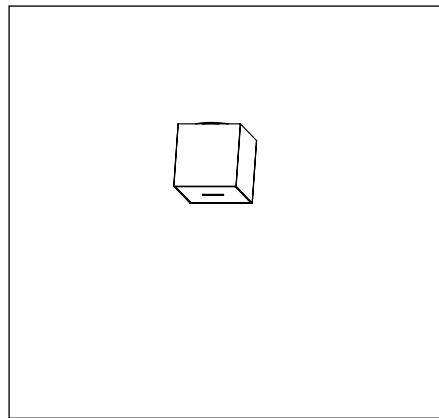
5



6



7



8