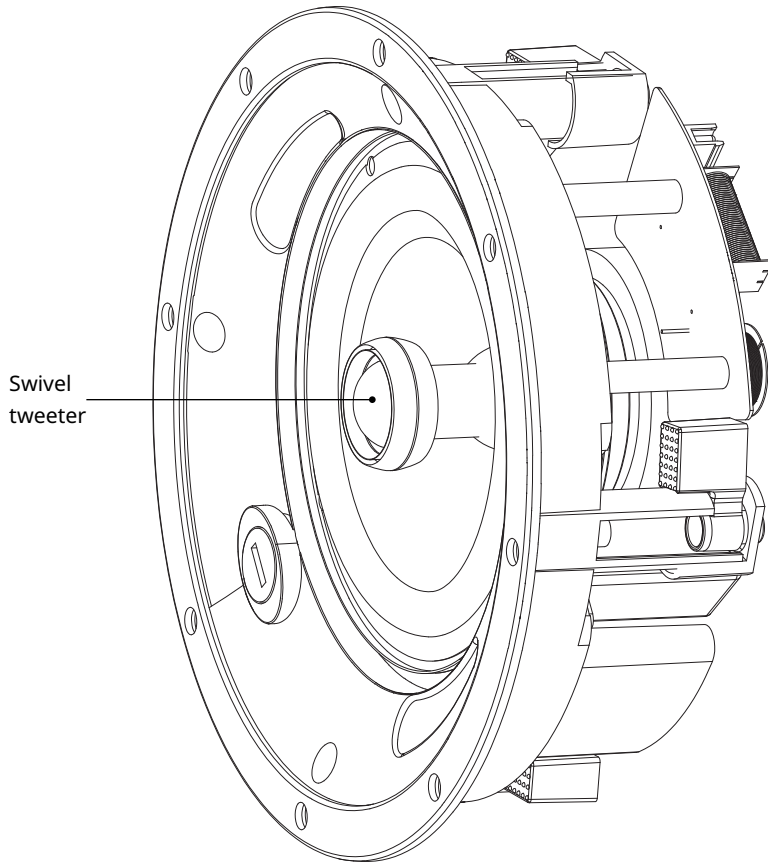


Ultra low profile

2-way coaxial

# CEILING PRO 6-A

## PASSIVE CEILING LOUDSPEAKER



The **Ceiling Pro 6-A** is a powerful 6.5-inch two-way coaxial ceiling loudspeaker engineered for premium performance in larger commercial spaces.

The 1-inch titanium swivel tweeter delivers accurate high-frequency detail, while its wide 110° x 110° coverage ensures consistent sound throughout the space. Reaching output levels up to 114 dB and featuring a bezel-free magnetic grille, the Ceiling Pro 6-A blends power, clarity, and a clean architectural look. With both 70/100V power taps and 8Ω operation via a tap switch, it's flexible for any system design.

Easy to install with Euroblock terminals and lightweight design, it is ideal for restaurants, retail, and commercial venues requiring impactful music reproduction and intelligible speech.

- 6.5" two-way coaxial ceiling loudspeaker
- 1" titanium swivel tweeter for precise highs
- 110° x 110° wide coverage
- High output performance up to 114 dB
- Clean and sleek magnetic grille
- Euroblock terminal connections
- Powerful, natural sound for music and speech
- Perfect for restaurants, retail & commercial venues

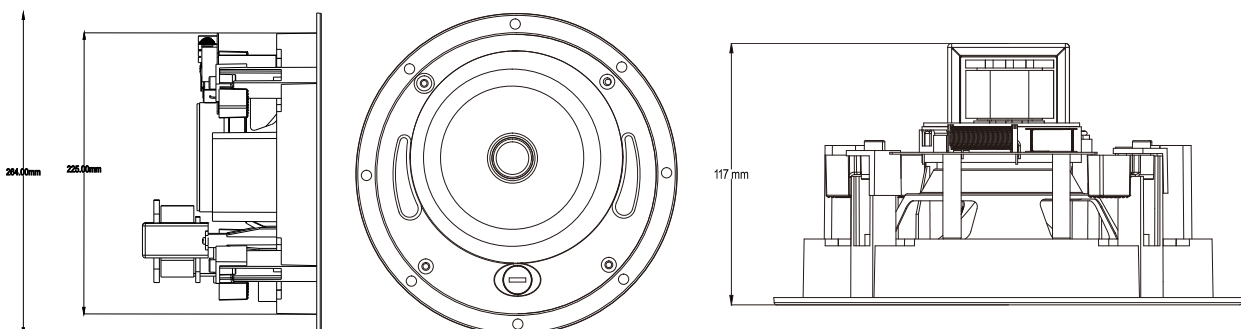


**To get the best performance from your QUAD Industrial loudspeakers, always pair them with a QUAD Industrial amplifier. Using our DSP preset library ensures optimum protection, clarity and control, giving you consistent results in every installation.**



Rigging, suspending and mounting should only be attempted by experience qualified professionals. Incorrect usage can result in damage to equipment and property, injury and even death. Under no circumstances should you attempt to rig, suspend or mount these speakers unless you are fully qualified and certified to do so by relevant local, state and national authorities. If you are not properly qualified or do not know of pertinent regulations consult qualified personnel for advice. Consult a structural engineer before suspending a speaker system and ensure that the total weight of your system can be held by the truss or mounting surface.

### Dimensions



# CEILING PRO 6-A

## 1. Mark the Cut-Out

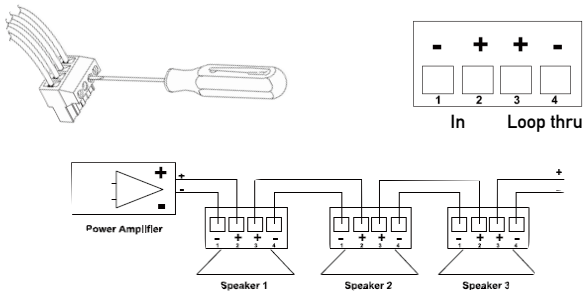
Use the supplied cardboard template to mark the speaker hole on the ceiling. Ensure the location is clear of obstructions (pipes, wires, etc.).

## 2. Cut the Hole

Carefully cut the marked opening in the ceiling. Smooth the edges to prevent damage during installation.

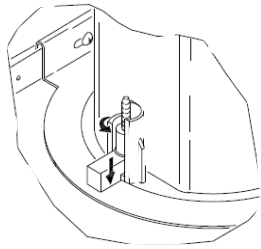
## 3. Prepare Wiring

Connect the speaker cable to the detachable locking connector. This can be done before placing the speaker in the ceiling for faster installation.



## 4. Insert the Speaker

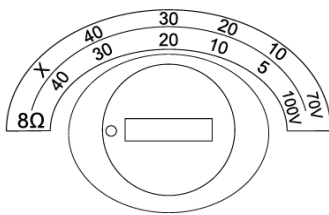
Place the speaker into the cut-out. Rotate the mounting clamps so they grip firmly onto the ceiling surface. Tighten securely. The max thickness of the ceiling material can be 40mm.



## 5. Tap Switch Setting

The power tap switch can be set either before or after installation, but must be selected before the amplifier is powered on.

Use a small flat-blade screwdriver or a coin to adjust.



## 6. Attach the Grille

Align the grille and press it into place. Ensure it sits flush with the ceiling surface.

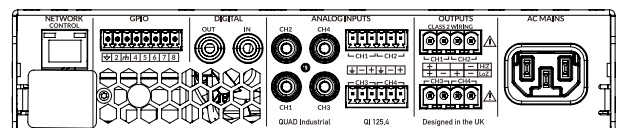
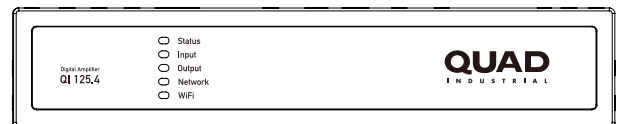
## 7. Test Operation

Power the system and confirm the speaker is working correctly before completing the installation.

| Model Name                       | Ceiling Pro 6-A                               |
|----------------------------------|---|
| System Type                      | 6.5" Passive                                  |
| Configuration                    | Two-Way / Coaxial                             |
| Frequency Response (+/-3 dB)     | 70 Hz-20 kHz                                  |
| Frequency Range (-10 dB)         | 56 Hz-20 kHz                                  |
| Sensitivity (2.83 V/1 m)         | 90 dB   |
| Calculated Maximum SPL @1 m      | 114 dB  |
| System Rated Impedance           | 8Ω  |
| <b>Low Frequency Transducer</b>  |   |
| Size                             | 6.5"  |
| Voice Coil Size                  | 1"  |
| <b>High Frequency Transducer</b> |   |
| HF Driver Type                   | 1" Ti Swivel Tweeter                          |
| Voice Coil Size                  | 1"  |
| Diaphragm Material               | Ti  |
| Nominal Coverage (H x V) -6 dB   | 110° x 110°                                   |
| <b>System Power</b>              |   |
| Continuous (W)                   | 60 W  |
| Programme (W)                    | 120 W   |
| Peak (W)                         | 240 W   |
| Recommended HPF = BW 18 dB/oct.  | 56 Hz   |
| Crossover frequency              | 2.4 kHz                                       |
| Input Connector                  |   |
| Input Connectors (T)             | 4 Pin Euroblock                               |
| Transformer (T)                  | Tap switch                                    |
| Transformer Taps (70 V)          | 40 W / 30 W / 20 W / 10 W / 5 W               |
| Transformer Taps (100 V)         | 40 W / 30 W / 20 W / 10 W                     |
| <b>Hardware</b>                  |   |
| Rigging                          | 90 cm Wire                                    |
| Enclosure                        |   |
| Enclosure Material and finish    | Plastic (ABS)                                 |
| Colour Options                   | White   |
| Grille Material & Finish         | Powder coated steel, Bezel Free Magnetic type |
| <b>Dimensions - Unpacked</b>     |   |
| Height                           | 117 mm  |
| Width inc grille                 | φ 264 mm                                      |
| Cutout                           | φ 223 mm                                      |
| <b>Dimensions - Packed</b>       |   |
| Height                           | 1 Unit  |
| Width                            | 290 mm  |
| Depth                            | 153 mm  |
| <b>Weight</b>                    |   |
| Net Weight                       | 2.1 kg  |
| Gross Weight                     | 2.6 kg  |

Using a QUAD Industrial QI 125.4 Digital Amp completes the system....

- Preset library for QUAD Industrial loudspeakers
- QI CORE control software app for easy system management
- Flexible installation modes (Hi-Z / Lo-Z and Power Sharing)
- Embedded DSP with FIR/IIR filters



We design loudspeakers and amplifiers built specifically for fixed installation. Our portfolio spans ceiling, pendant, wall-mount and compact subwoofers, all engineered to deliver clarity, coverage and reliability. With discreet form factors, robust build and flexible power tap options, our systems integrate seamlessly into restaurants, retail environments and commercial spaces. Paired with dedicated QUAD Industrial amplifiers, they provide a complete audio solution that's simple to specify, install and scale. From background ambience to impactful full-range sound, QUAD Industrial products combine professional performance with everyday practicality - making them the perfect choice for contractors and integrators worldwide.