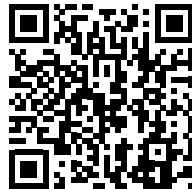
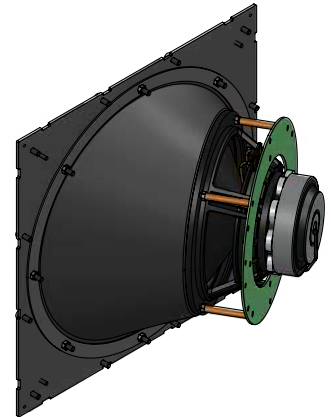
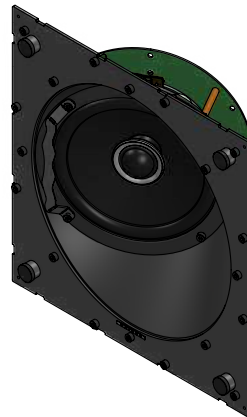


Plasterboard

Easy-Fit

Concrete wall



**SCAN OR CLICK TO EXTEND  
YOUR GARVAN WARRANTY FOR FREE!**

3 years included, with the option to add  
2 extra years at no additional cost.

## OVERVIEW DESCRIPTION – UNIQUE DESCRIPTION PRODUCT

The Garvan KR119N30 is a high-performance in-wall loudspeaker from the Luna™ Collection, designed for flush-mount installation in walls and ceilings in indoor environments. Featuring a coaxial 160 mm woofer with a 25 mm tweeter mounted on a 30° angled baffle, it allows precise sound orientation toward the listening area while maintaining a discreet architectural appearance. Designed for free-air installation in plasterboard and modular panels, or closed-box installation in concrete walls, the KR119N30 delivers powerful, balanced sound with wide dispersion and controlled frequency response. Its robust metal structure, combined with Garvan FlushMount™ and EasyFit™ systems, ensures installation flexibility, acoustic consistency, and seamless integration into residential and professional spaces

## KEY FEATURES

In-wall / in-ceiling flush-mount loudspeaker with 30° angled baffle

Coaxial transducer: 160 mm woofer + 25 mm tweeter

AES power handling: 120 W (240 W continuous)

Sensitivity: 88 dB (2.83V/1m and 1W/1m)

Maximum SPL: 121 dB @ 1 m

Frequency response (-3 dB)

61 Hz – 20 kHz (free-air installations)  
90 Hz – 20 kHz (closed-box concrete wall installation)

Frequency range (-10 dB): 54 Hz – 20 kHz

Wide coverage: >120° (1–4 kHz) / 100° (1–10 kHz)  
Installation systems: FlushMount™ and EasyFit™

Compatible with plasterboard, wooden panels, modular panels, and concrete walls

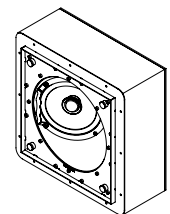
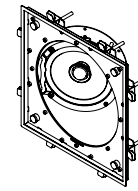
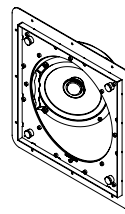
Metal frame and support structure with interchangeable aesthetic front covers

Compatible with Garvan preset EQ, filters, and protection systems

Indoor use, for residential and professional environments

Made in Italy

Extended warranty: 3+1+1 years with free registration



INSTALLATION NAME	FlushMount™ Plasterboard	EasyFit™	FlushMount™ Concrete wall
Installation Type	In Wall / In Ceiling Speaker, free air	In Wall / In Ceiling Speaker, free air	In Wall / In Ceiling Speaker, Closed box
Surface Compatibility	Suitable for installation in Plasterboard, wooden panels, modular panel, and similar.	Suitable for installation in Plasterboard, wooden panels, modular panel, and similar.	Suitable for installation in Concrete Wall and similar.
Installation Requirements	Required support thickness: 12,5- 25mm	Required support thickness: 4-40mm	Minimum required wall thickness: 90mm

### SINGLE LOUDSPEAKER PERFORMANCE

AES Power Handling	120 W	120 W	120 W
Continuous Power Handling ***	240 W	240 W	240 W
Sensitivity 2,83V / 1m ****	88 dB	88 dB	88 dB
Sensitivity 1W/1m ****	88 dB	88 dB	88 dB
Calculated Maximum SPL @ 1m*	121 dB	121 dB	121 dB

### TRANSDUCER

Type	Coaxial	Coaxial	Coaxial
Nominal size	WF 160 mm + TW 25mm	WF 160 mm + TW 25mm	WF 160 mm + TW 25mm
Nominal Impedance	8Ω	8Ω	8Ω
Loudspeaker EQ	Not required, Garvan Preset EQ, Filter and protection available	Not required, Garvan Preset EQ, Filter and protection available	Not required, Garvan Preset EQ, Filter and protection available
Recommended High-Pass Filter Protection	50 Hz with 48 dB/ Oct. High pass Filter	50 Hz with 48 dB/ Oct. High pass Filter	50 Hz with 48 dB/ Oct. High pass Filter
Frequency Response (-3 dB)	61 Hz - 20 kHz **	61 Hz - 20 kHz **	90 Hz - 20 kHz **
Frequency Range (-10 dB)	54 Hz - 20 kHz **	54 Hz - 20 kHz **	54 Hz - 20 kHz **
Nominal Coverage Angle (1 KHz - 4 kHz)	> 120°	> 120°	> 120°
Nominal Coverage (1 KHz – 10 kHz)	100°	100°	100°

### PHYSICAL

Frame Material	zinc-plated metal	zinc-plated metal	"zinc-plated metal + phenolic multilayer wood"
Speaker support Material	Lacquered or galvanic metal support	Lacquered or galvanic metal support	
Cover	Lacquered or galvanic metal Grille/ Brushed stainless steel Grille / Fabric covered frame.	Lacquered or galvanic metal Grille/ Brushed stainless steel Grille / Fabric covered frame.	

ENVIRONMENTAL FEATURES			
Environment of Use	Indoor environments	Indoor environments	Indoor environments
Operating Temperature Range *****			
environmental protection.			
Connectors	Push connector, mounted on crossover and on speaker coax. Accepts 18 AWG (0.8 mm <sup>2</sup> ) to 11 AWG (4,17 mm <sup>2</sup> ) size wire.	Push connector, mounted on crossover and on speaker coax. Accepts 18 AWG (0.8 mm <sup>2</sup> ) to 11 AWG (4,17 mm <sup>2</sup> ) size wire.	Push connector, mounted on crossover and on speaker coax. Accepts 18 AWG (0.8 mm <sup>2</sup> ) to 11 AWG (4,17 mm <sup>2</sup> ) size wire.
Maximum Ceiling Thickness			
Product Dimensions			
Ceiling Cutout			
Net Weight, Frame			
Net Weight, Loudspeaker			
Net Weight, Cover			
LOGISTICAL DATA			
Packaging dimensions			
Shipping Weight			
Quantity of products per package	1 to 2 based on logistics optimization per shipment	1 to 2 based on logistics optimization per shipment	1 to 2 based on logistics optimization per shipment
MAINTENANCE			
Cleaning Method	microfiber cloth	microfiber cloth	microfiber cloth
General precautions	do not use harsh cleaning products	do not use harsh cleaning products	do not use harsh cleaning products
INCLUDED ACCESSORIES			
	Jig set	Jig set	Jig set
OPTIONAL ACCESSORIES			
Transformer for high line voltage	TRT052 - 70/100V - 25/37/50W	TRT052 - 70/100V - 25/37/50W	TRT052 - 70/100V - 25/37/50W
Transformer for high line voltage	TRT054 - 70/100V - 10/15/20W	TRT054 - 70/100V - 10/15/20W	TRT054 - 70/100V - 10/15/20W
Cover installation kit	GAR136	GAR136	GAR136
Sound-absorbing material kit for installation			
<b>Cable size/load</b>	<b>8 ohm</b>	<b>4 ohm</b>	<b>2 ohm</b>
2 sq mm.	20m / 65ft.	10m / 32ft	5m / 16ft
2,5 sq mm.	30m / 100ft.	15m / 50ft	7,5m / 25ft
4 sq mm.	60m / 200ft.	30m / 100ft	15m / 50ft

#### NOTES:

\* Maximum SPL calculated from sensitivity and power handling specifications, using a signal with crest factor 4 (12dB), exclusive of power compression.

\*\* With dedicated preset

\*\*\* Power on Continuous Program is defined as 3 dB greater than the Nominal rating.

\*\*\*\* average SPL measured from 200 Hz to 1,5 kHz

\*\*\*\*\* With dedicated ignition and maintenance process

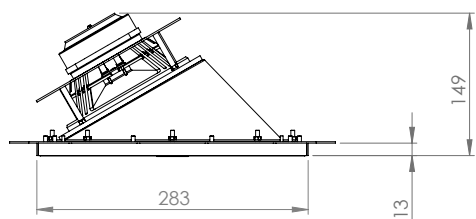
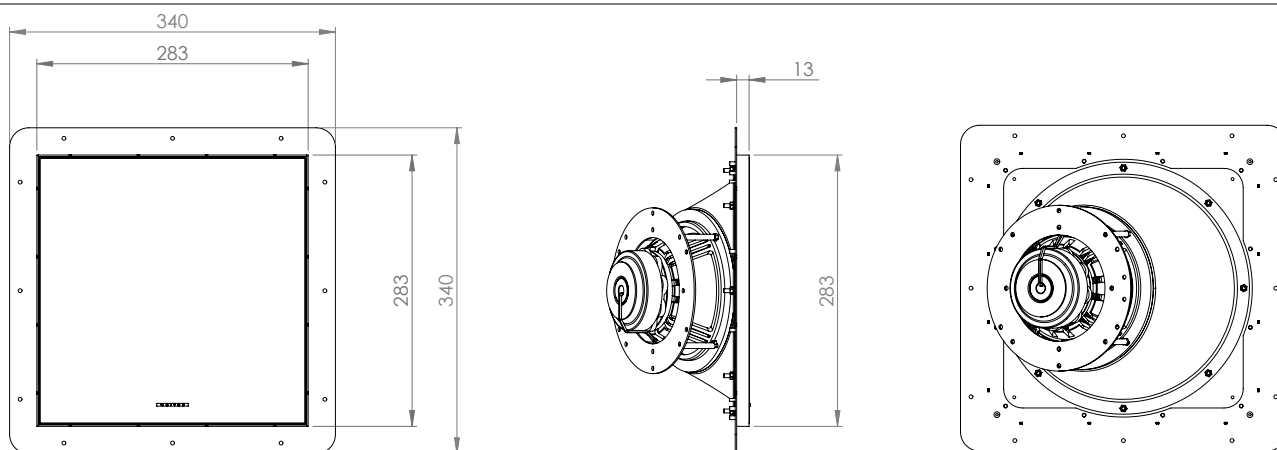
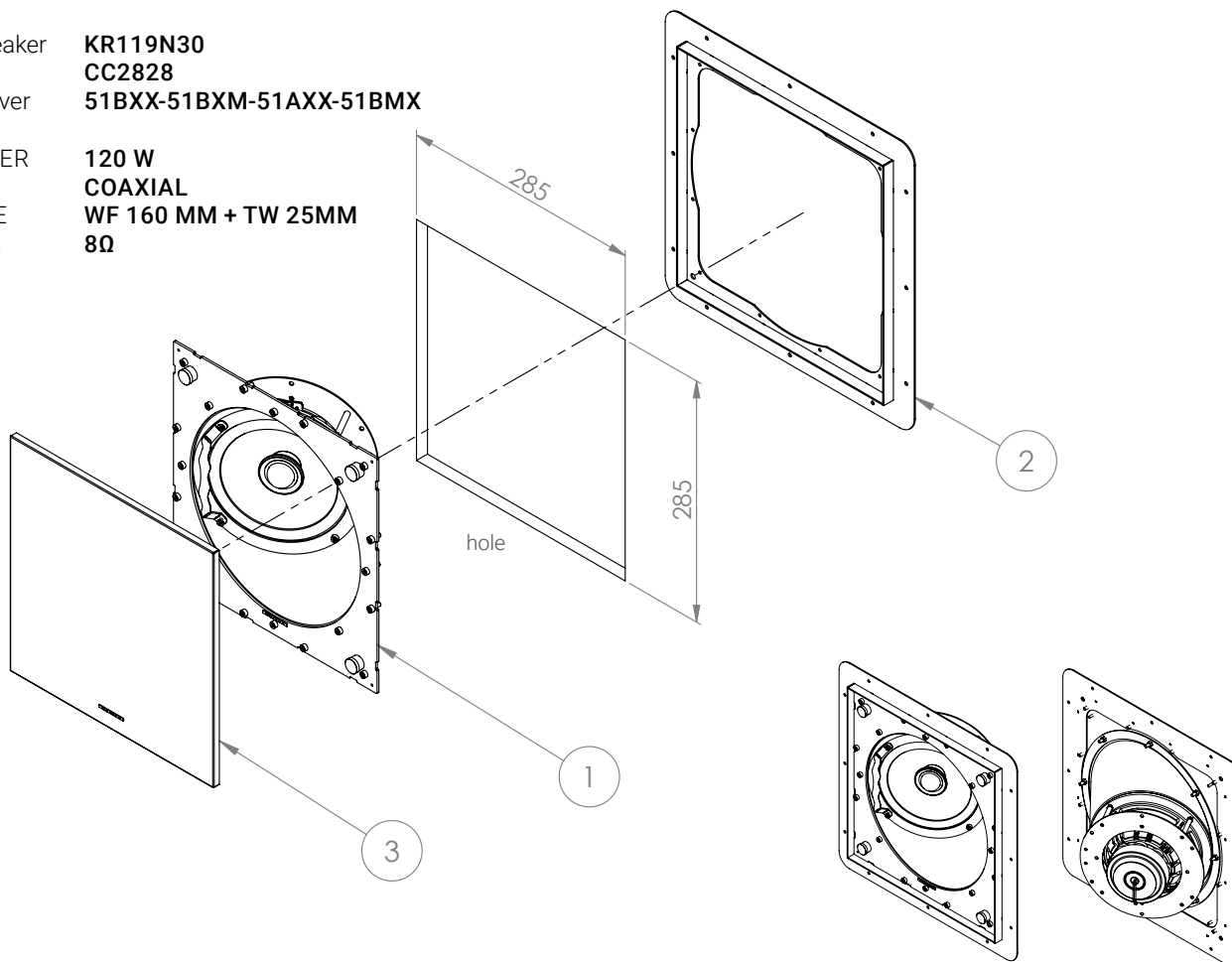
# KR119N30 / CC2828

## FLUSHMOUNT™ PLASTERBOARD PRODUCT SHEET

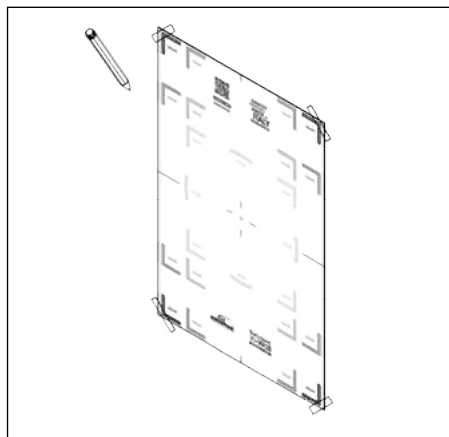
### FLUSHMOUNT™ CODES

1 Loudspeaker **KR119N30**  
 2 Frame **CC2828**  
 3 Front cover **51BXX-51BXM-51AXX-51BMX**

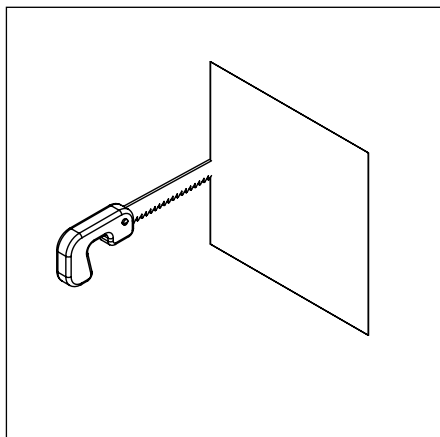
AES POWER **120 W**  
 TYPE **COAXIAL**  
 NOM. SIZE **WF 160 MM + TW 25MM**  
 NOM. IMP. **8Ω**



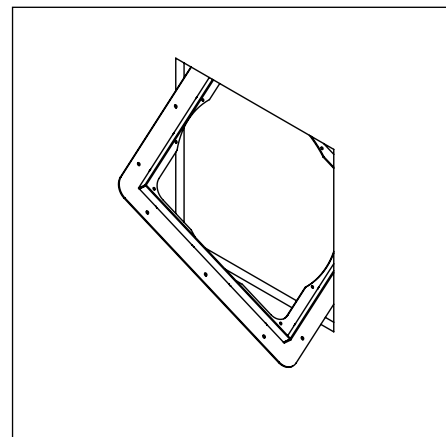
# INST. INSTRUCTIONS KR119N30 / CC2828 FlushMount™ Plasterboard



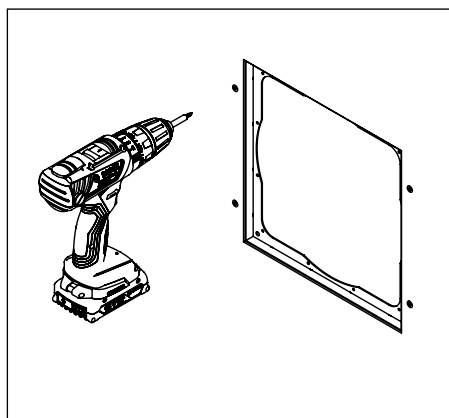
1 Jig set



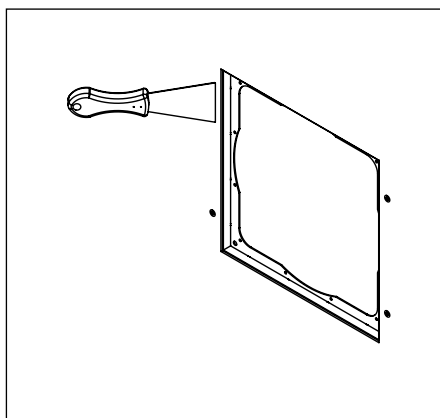
2



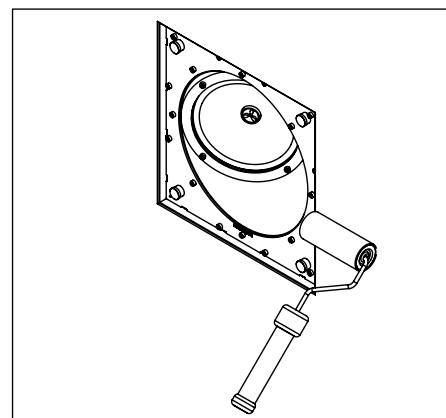
3



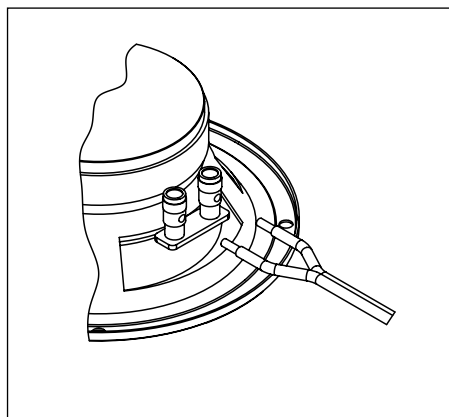
4



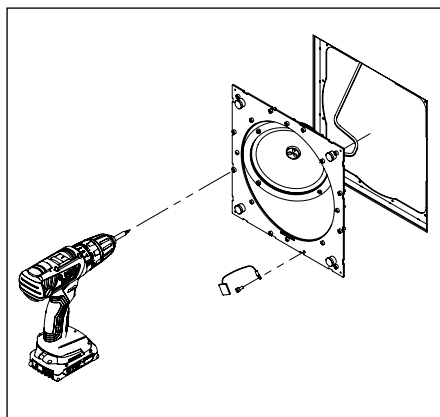
5



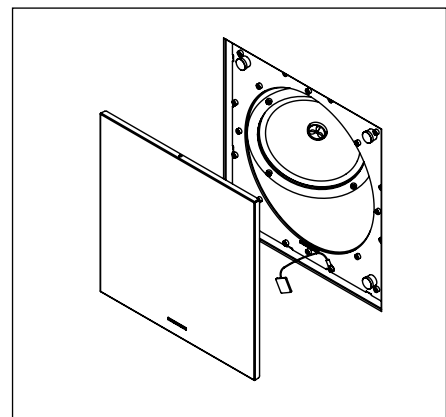
6



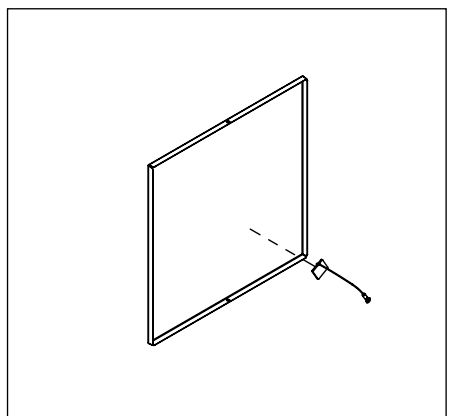
7



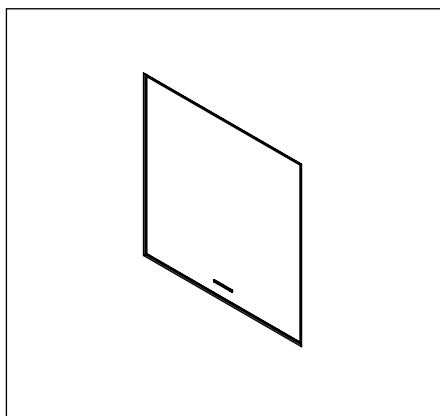
8



9



10

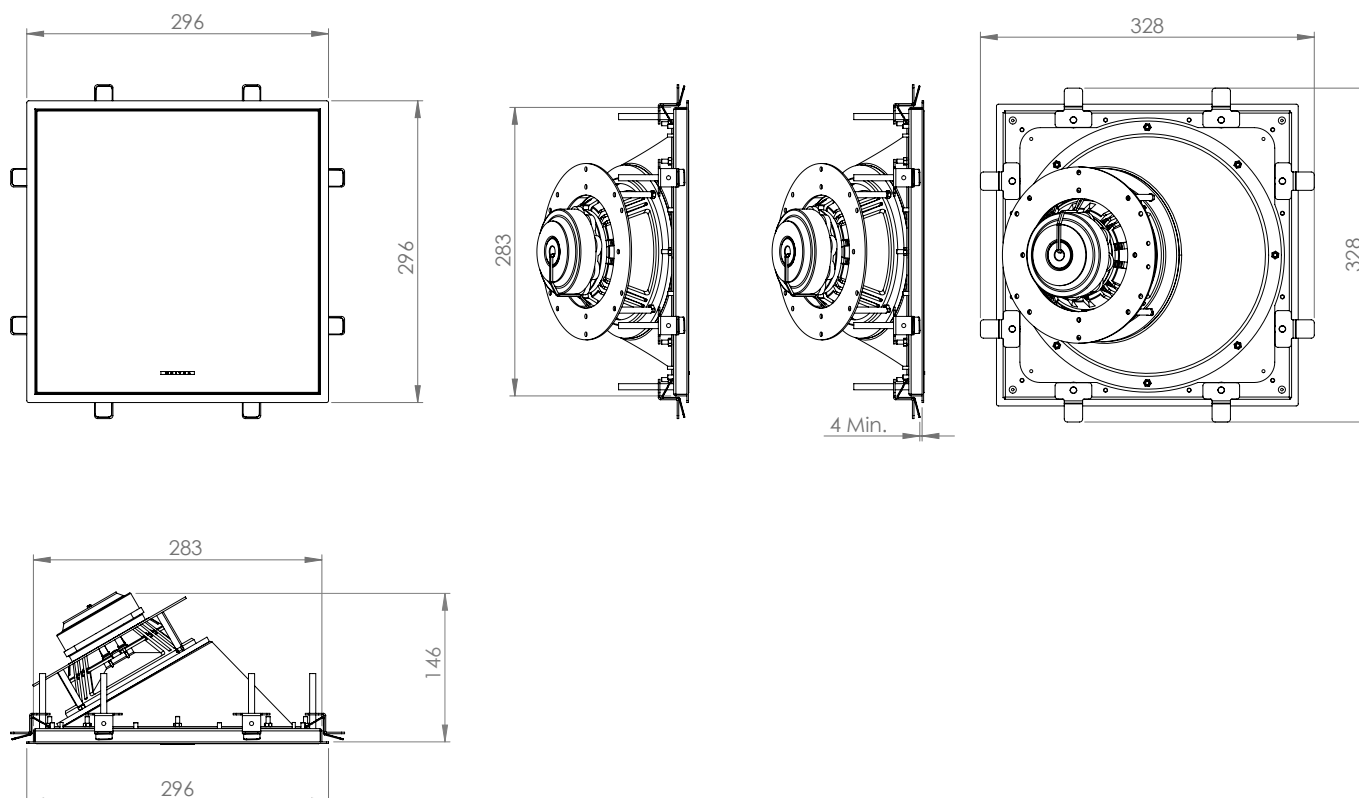
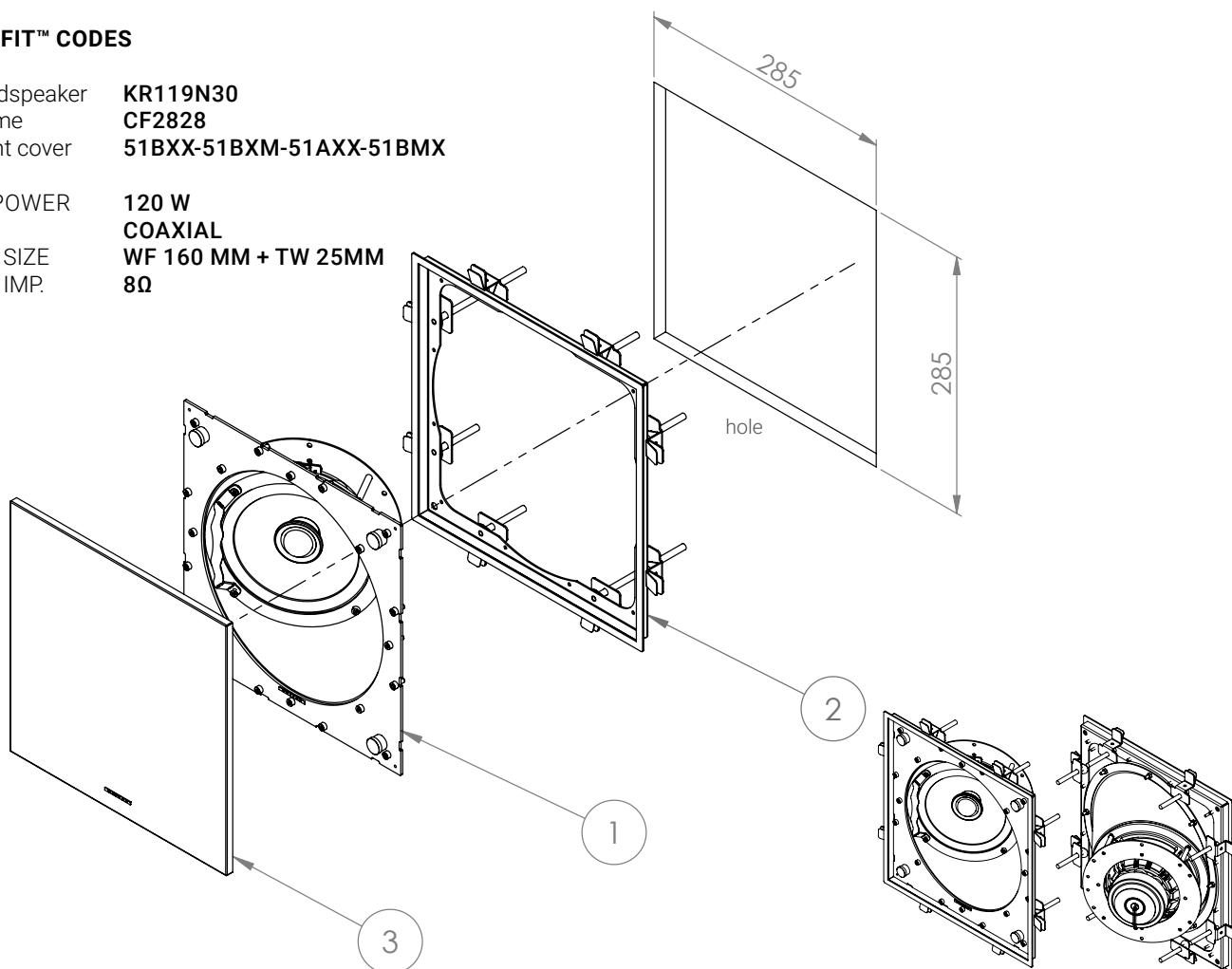


11

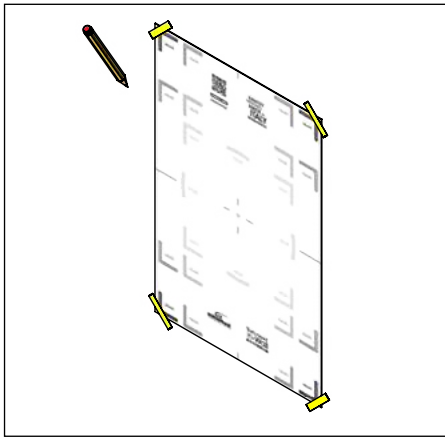
### EASYFIT™ CODES

1 Loudspeaker **KR119N30**  
 2 Frame **CF2828**  
 3 Front cover **51BXX-51BXM-51AXX-51BMX**

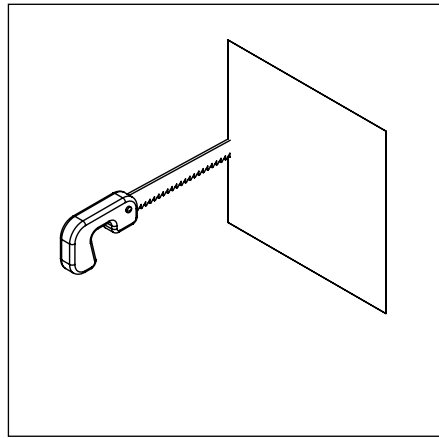
AES POWER **120 W**  
 TYPE **COAXIAL**  
 NOM. SIZE **WF 160 MM + TW 25MM**  
 NOM. IMP. **8Ω**



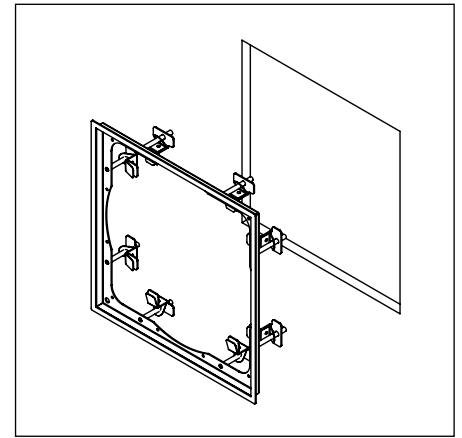
# INSTALLATION INSTRUCTIONS KR119N30 / CF2828 Easyfit™



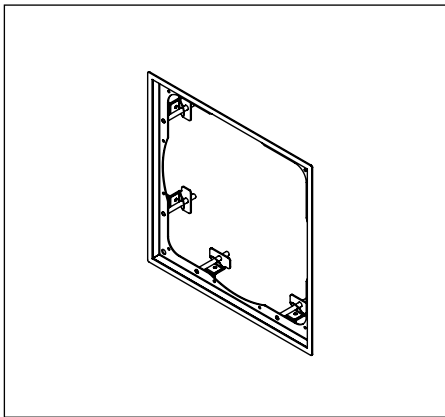
1 Jig set



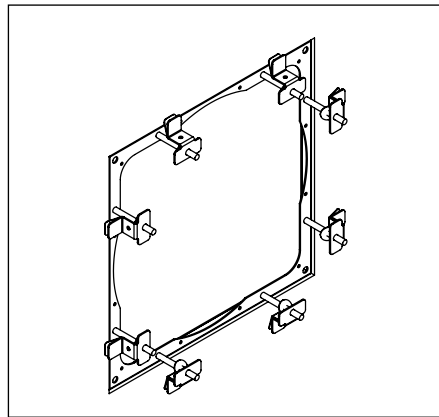
2



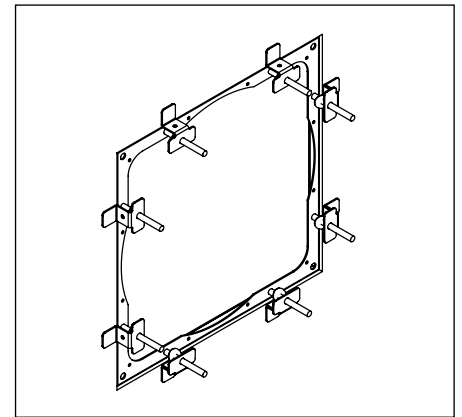
3



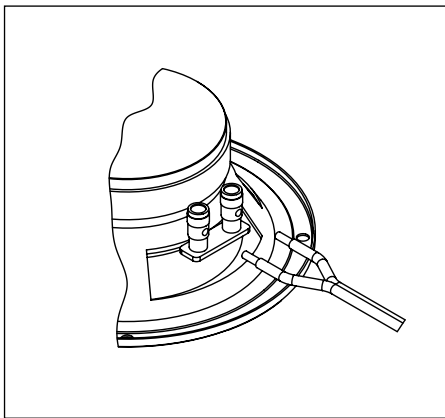
4



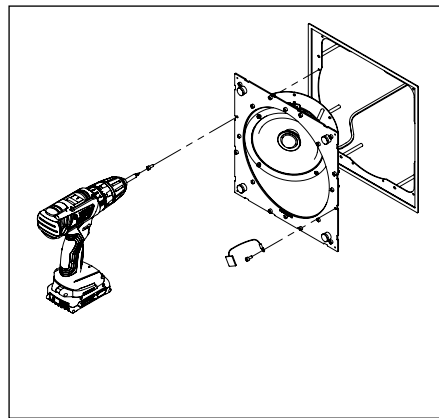
5



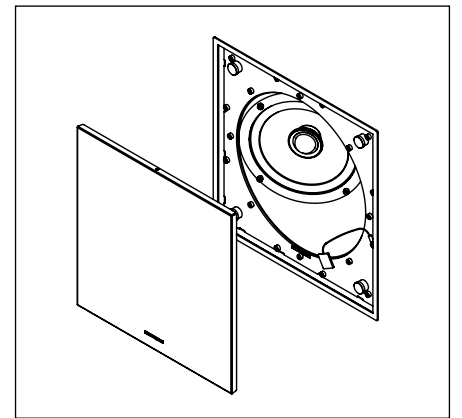
6



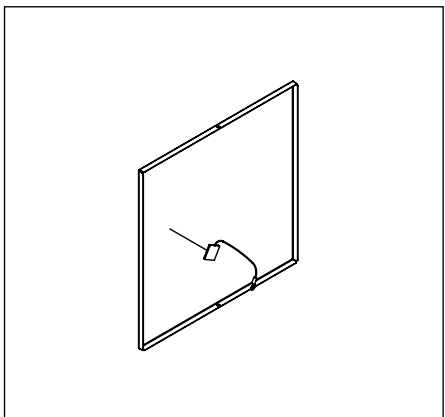
7



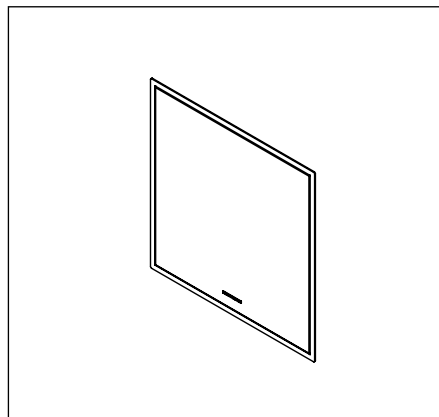
8



9



10



11

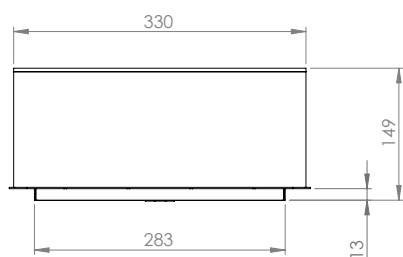
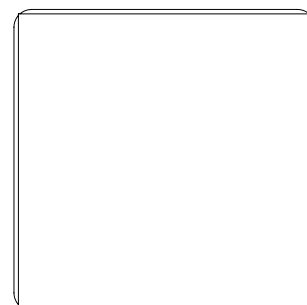
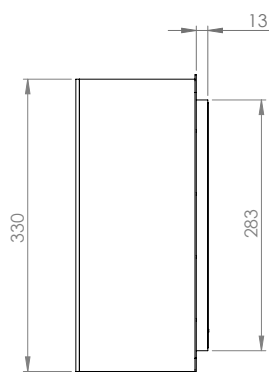
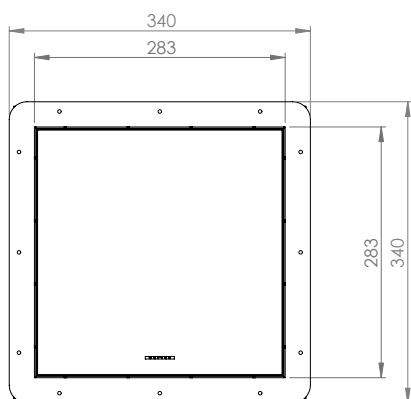
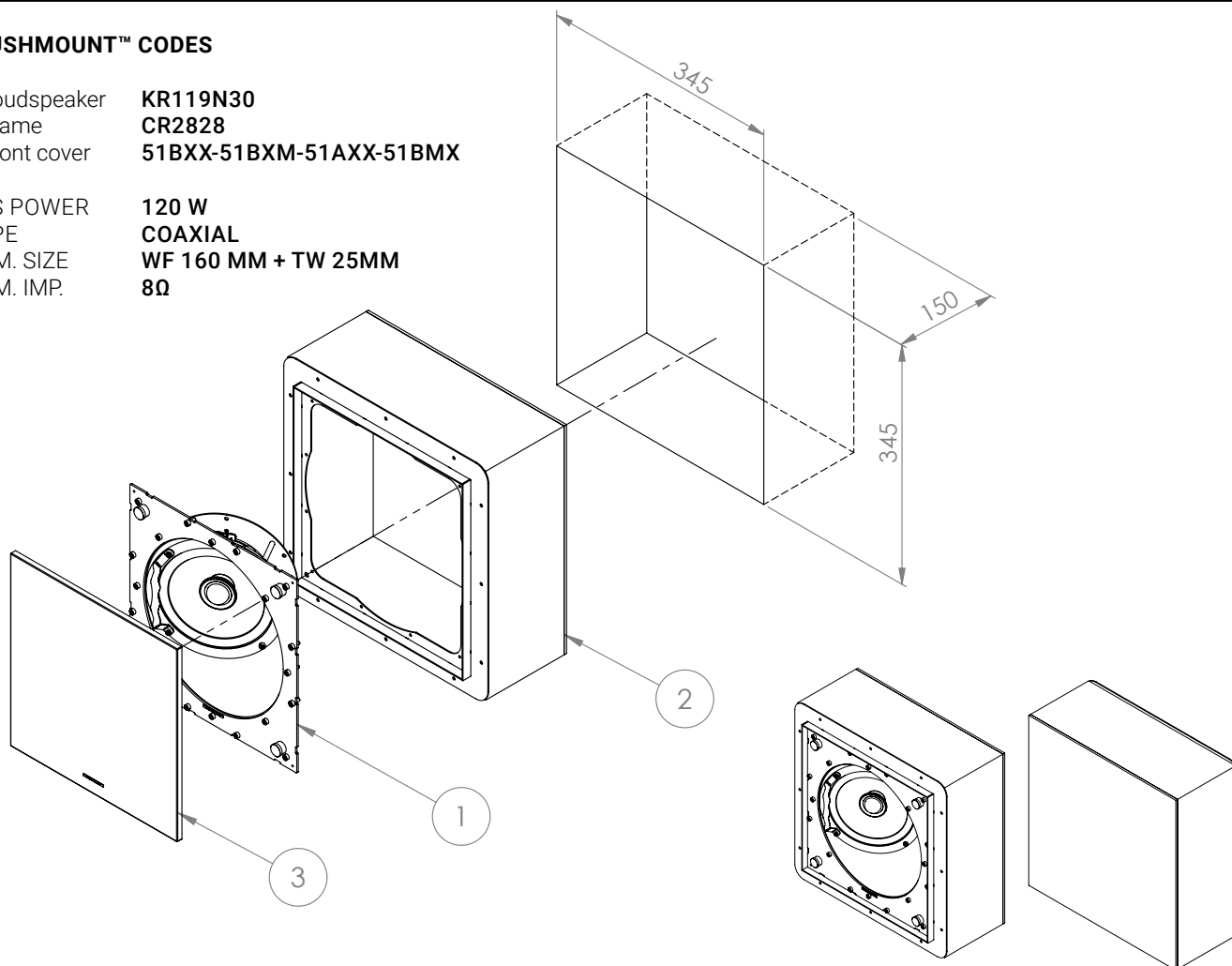
# KR119N30 / CR2828

## FLUSHMOUNT™ CONCRETE WALL PRODUCT SHEET

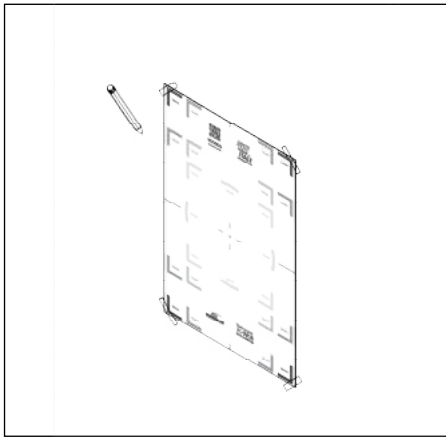
### FLUSHMOUNT™ CODES

1 Loudspeaker **KR119N30**  
 2 Frame **CR2828**  
 3 Front cover **51BXX-51BXM-51AXX-51BMX**

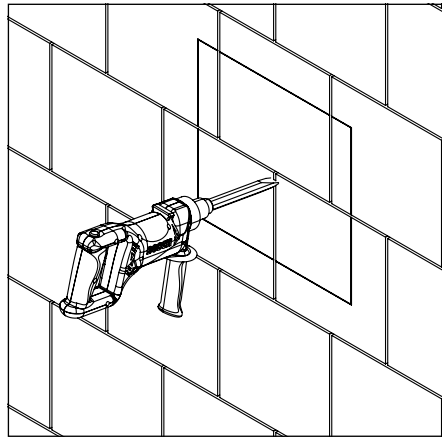
AES POWER **120 W**  
 TYPE **COAXIAL**  
 NOM. SIZE **WF 160 MM + TW 25MM**  
 NOM. IMP. **8Ω**



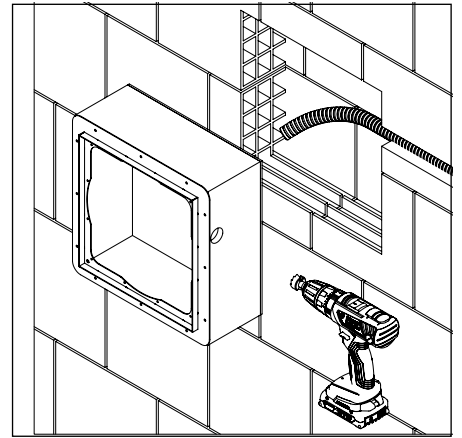
# INST. INSTRUCTIONS KR119N30 / CR2828 FlushMount™ Concrete wall



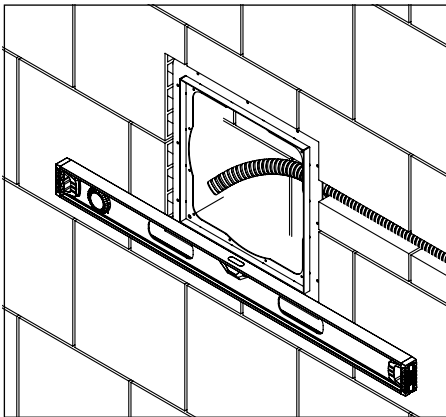
1 Jig set



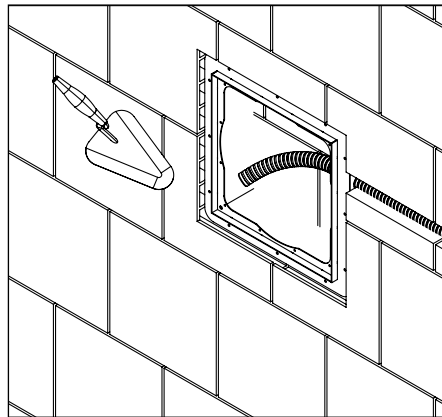
2



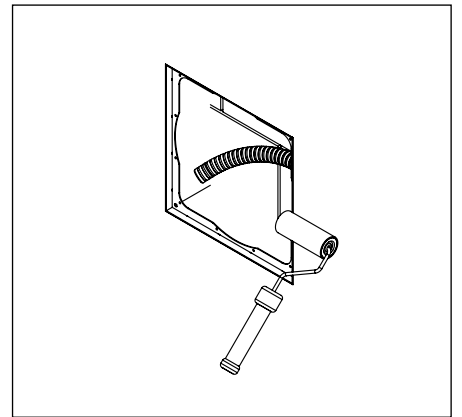
3



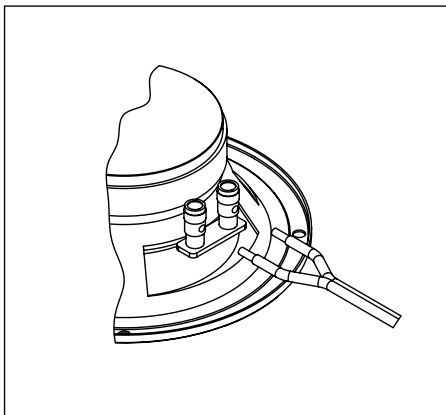
4



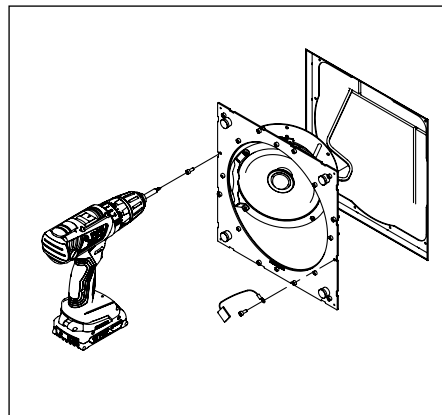
5



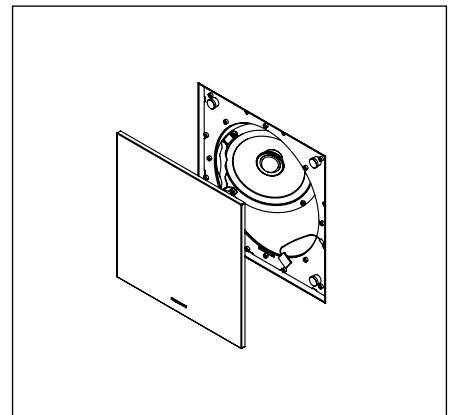
6



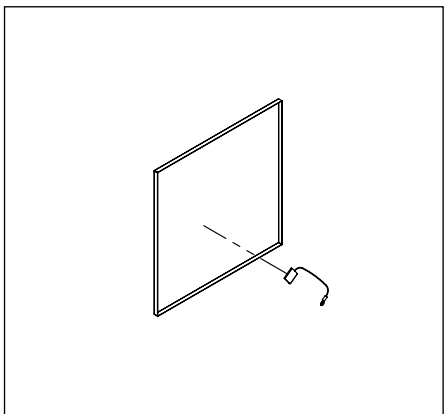
7



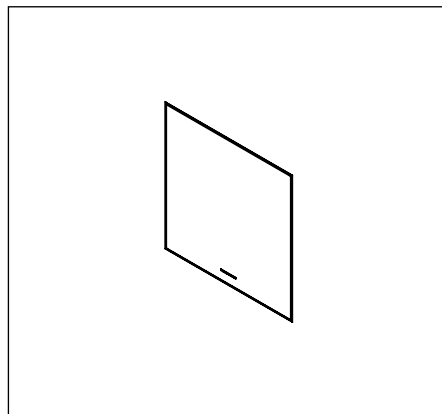
8



9



10



11