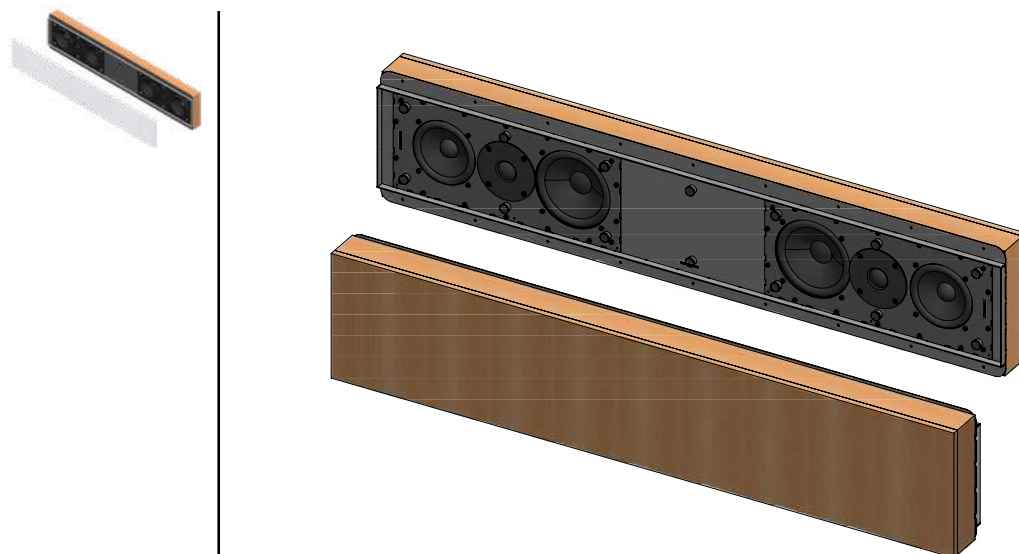




ARIA™ COLLECTION



**SCAN OR CLICK TO EXTEND
YOUR GARVAN WARRANTY FOR FREE!**
3 years included, with the option to add
2 extra years at no additional cost.

OVERVIEW DESCRIPTION – UNIQUE DESCRIPTION PRODUCT

KR2316 is a compact in-wall soundbar with dedicated closed back box, designed to deliver a clear and balanced L+R front soundstage in a fully architectural solution. Thanks to its controlled enclosure and high-efficiency transducers, it ensures excellent intelligibility, solid dynamics and uniform sound dispersion, even in acoustically demanding environments. Ideal for residential and professional applications where performance and discreet integration are required, KR2316 combines clarity, reliability and architectural precision, disappearing into the wall while delivering a refined and coherent listening experience. Designed and manufactured in Italy, it reflects Garvan Acoustic's focus on sound quality, control and integration.

KEY FEATURES

L+R in-wall soundbar configuration
Integrated stereo front soundstage with clear and precise imaging.

Closed-box design with dedicated formwork
Controlled and predictable acoustic performance.

Balanced and dynamic sound reproduction
Suitable for residential and professional environments.

Wide sound dispersion
Uniform coverage across the listening area.

High dialogue intelligibility
Clear and natural speech reproduction.

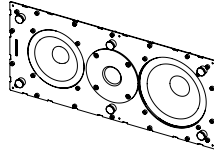
No mandatory external EQ
Optional Garvan preset EQ, filters and protection available.

Flush architectural integration
Designed for in-wall installation in concrete and similar structures.

Premium materials and finishes

Made in Italy

Warranty up to 5 years



INSTALLATION NAME	L+R = KR316
Installation Type	In Wall / In Ceiling Speaker, Closed box
Surface Compatibility	Suitable for installation in Concrete Wall and similar.
Installation Requirements	Minimum required wall thickness: 90mm
SINGLE LOUDSPEAKER PERFORMANCE	
AES Power Handling	80 W
Continuous Power Handling ***	160 W
Sensitivity 2,83V / 1m ****	87,5 dB
Sensitivity 1W/1m ****	87,5 dB
Calculated Maximum SPL @ 1m*	118,5 dB
TRANSDUCER	
Type	2 Way
Nominal size	WF 130 mm + TW 25mm + RP 160mm
Nominal Impedance	8Ω
Loudspeaker EQ	Not required, Garvan Preset EQ, Filter and protection available
Recommended High-Pass Filter Protection	40 Hz with 48 dB/Oct. High pass Filter
Frequency Response (-3 dB)	60 Hz – 20 kHz **
Frequency Range (-10 dB)	48 Hz - 20 kHz **
Nominal Coverage Angle (1 KHz - 4 kHz)	> 120°
Nominal Coverage (1 KHz – 10 kHz)	120
PHYSICAL	
Frame Material	"zinc-plated metal + phenolic multilayer wood"
Speaker support Material	Lacquered or galvanic metal support
Cover	Lacquered or galvanic metal Grille/ Brushed stainless steel Grille / Fabric covered frame.
ENVIRONMENTAL FEATURES	
Environment of Use	Indoor environments
Operating Temperature Range *****	
environmental protection.	
Connectors	Push connector, mounted on crossover and on speaker coax. Accepts 18 AWG (0.8 mm ²) to 11 AWG (4,17 mm ²) size wire.
Maximum Ceiling Thickness	
Product Dimensions	
Ceiling Cutout	
Net Weight, Frame	
Net Weight, Loudspeaker	
Net Weight, Cover	

LOGISTICAL DATA			
Packaging dimensions			
Shipping Weight			
Quantity of products per package	1 to 2 based on logistics optimization per shipment		
MAINTENANCE			
Cleaning Method	microfiber cloth		
General precautions	do not use harsh cleaning products		
INCLUDED ACCESSORIES			
	Jig set		
OPTIONAL ACCESSORIES			
Transformer for high line voltage			
Transformer for high line voltage			
Cover installation kit			
Sound-absorbing material kit for installation			
Cable size/load	8 ohm	4 ohm	2 ohm
2 sq mm.	20m / 65ft.	10m / 32ft	5m / 16ft
2,5 sq mm.	30m / 100ft.	15m / 50ft	7,5m / 25ft
4 sq mm.	60m / 200ft.	30m / 100ft	15m / 50ft

NOTES:

* Maximum SPL calculated from sensitivity and power handling specifications, using a signal with crest factor 4 (12dB), exclusive of power compression.

** With dedicated preset

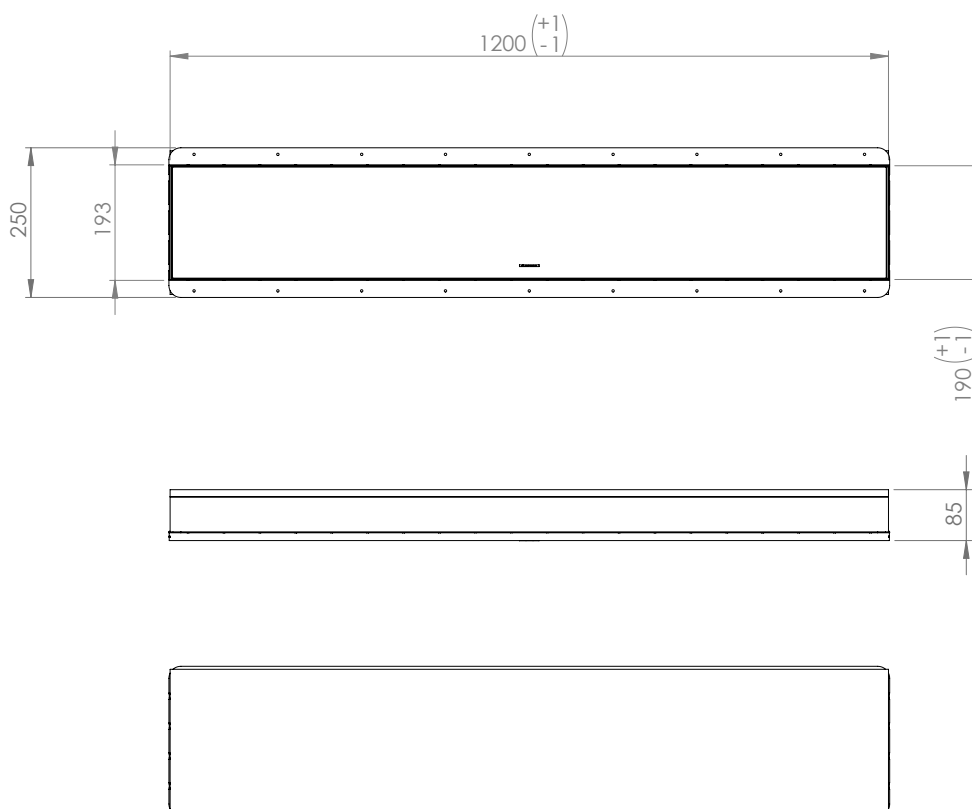
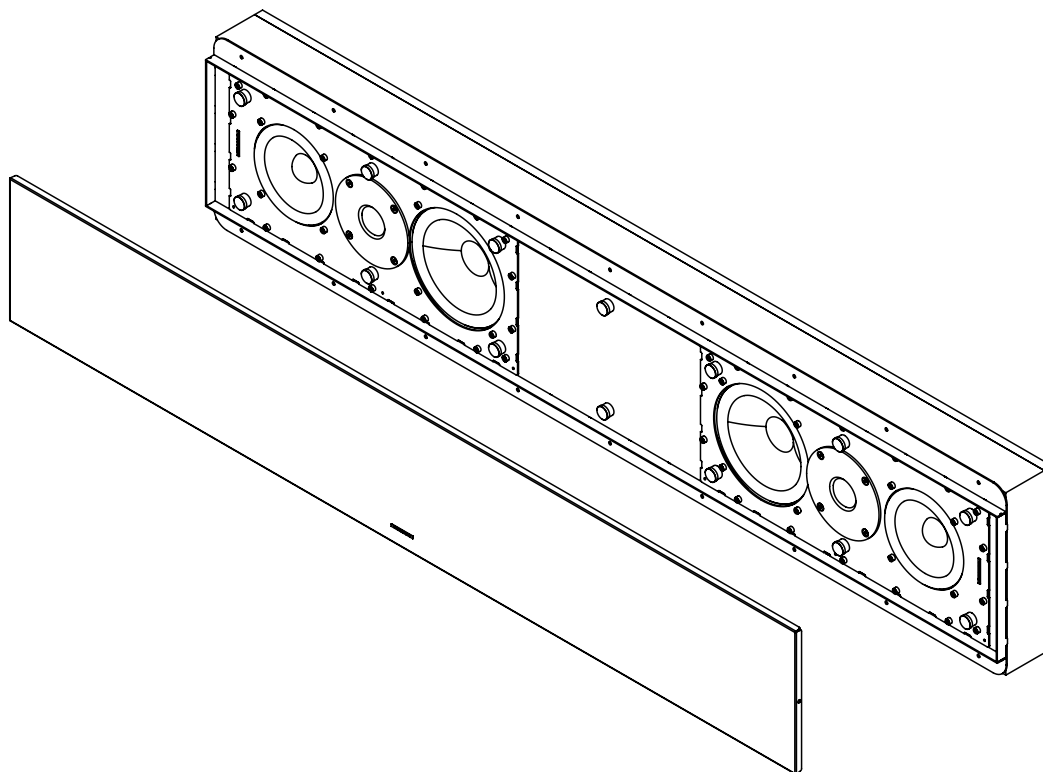
*** Power on Continuous Program is defined as 3 dB greater than the Nominal rating.

**** average SPL measured from 200 Hz to 1,5 kHz

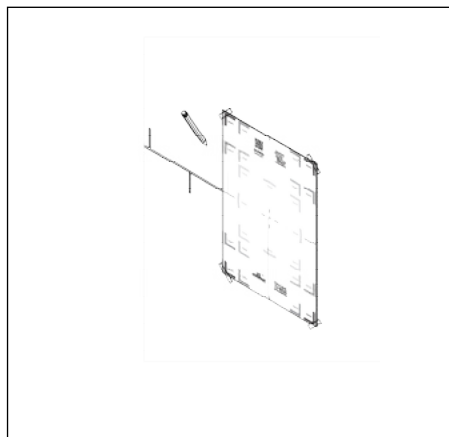
***** With dedicated ignition and maintenance process

SOUNDBAR IN-WALL CODES

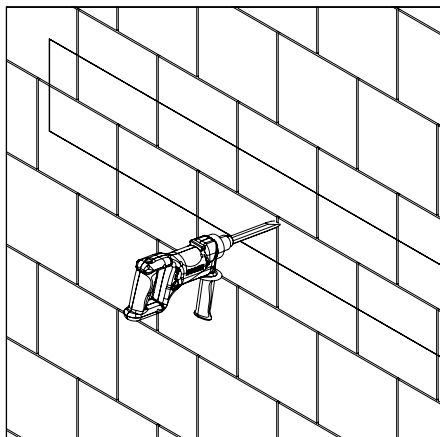
Soundbar **KR2316**
Speaker L+R **KR316**



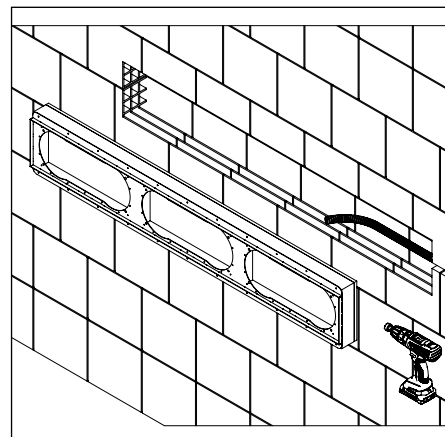
INSTALLATION INSTRUCTIONS KR2316 Soundbar in-wall - concrete wall



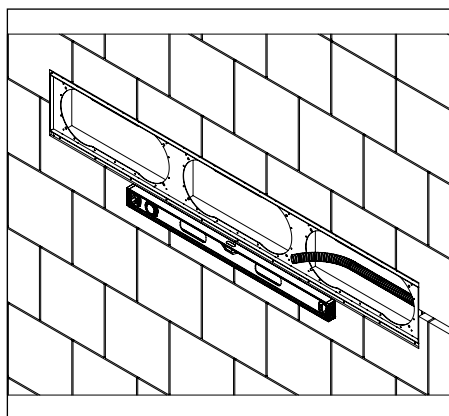
1



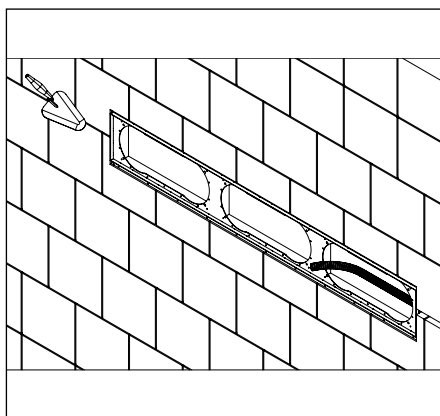
2



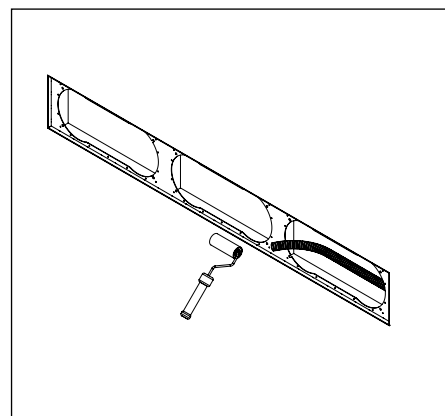
3



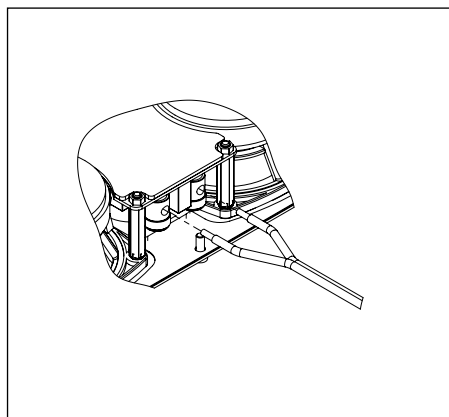
4



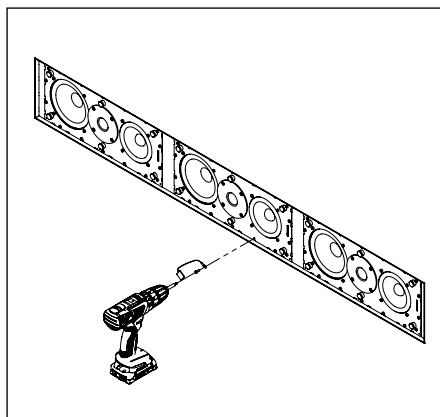
5



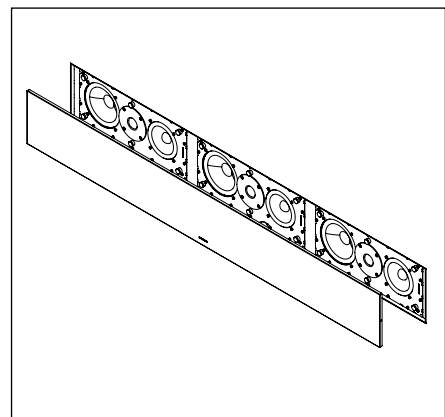
6



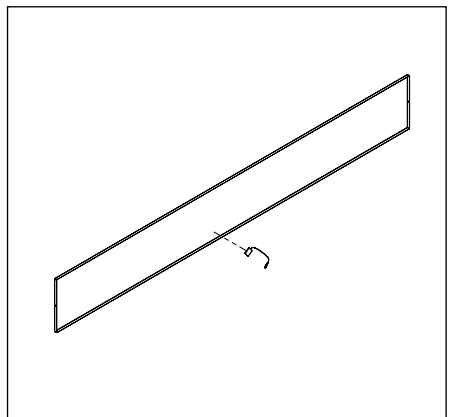
7



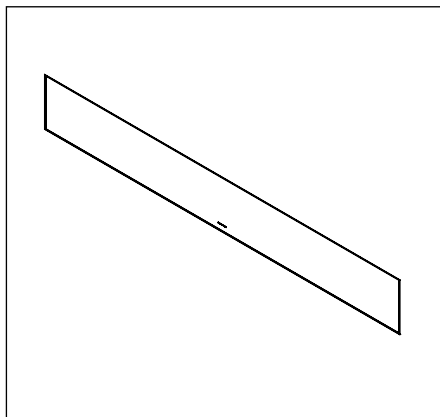
8



9

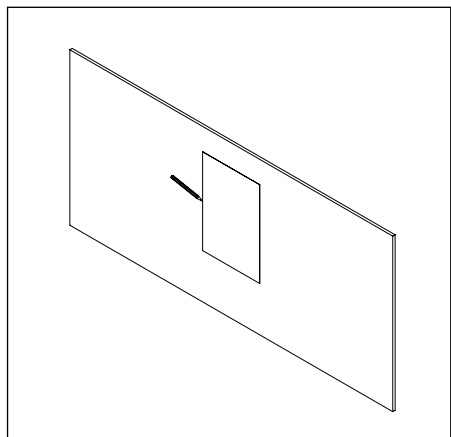


10

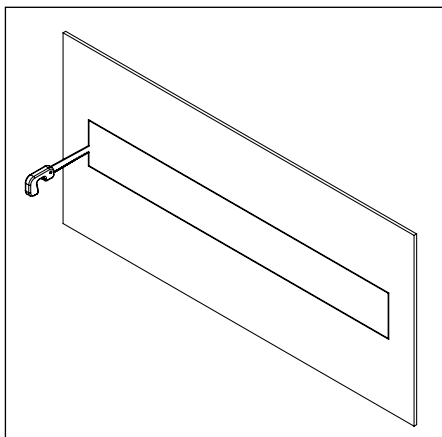


11

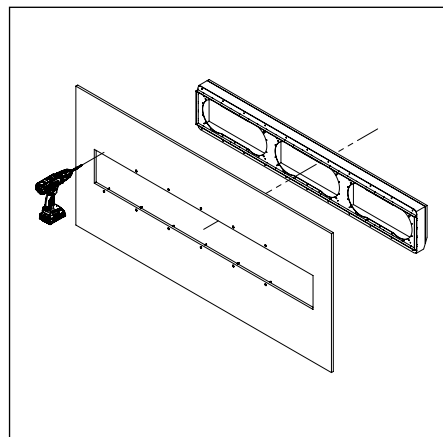
INSTALLATION INSTRUCTIONS KR2316 Soundbar in-wall - plasterboard



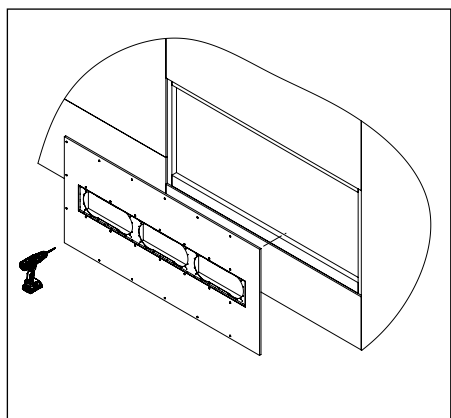
1



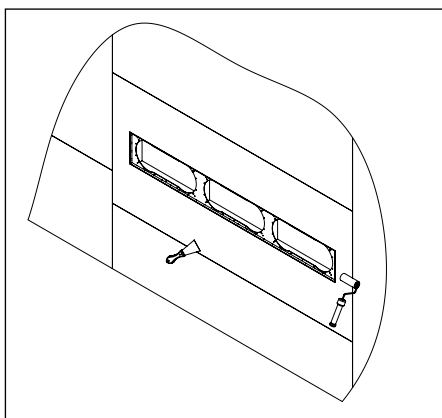
2



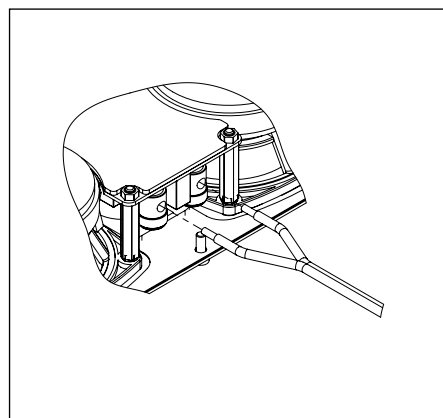
3



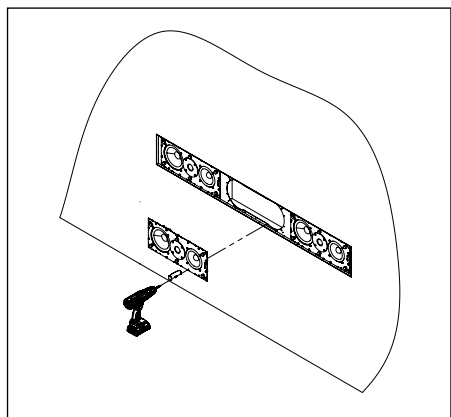
4



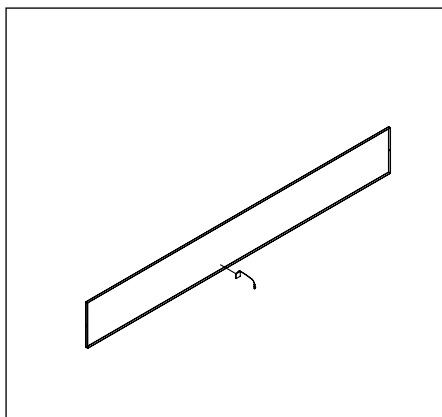
5



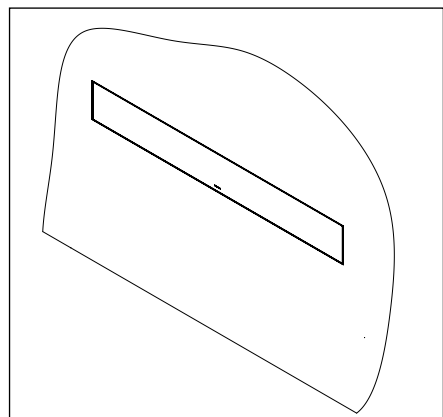
6



7



8



9