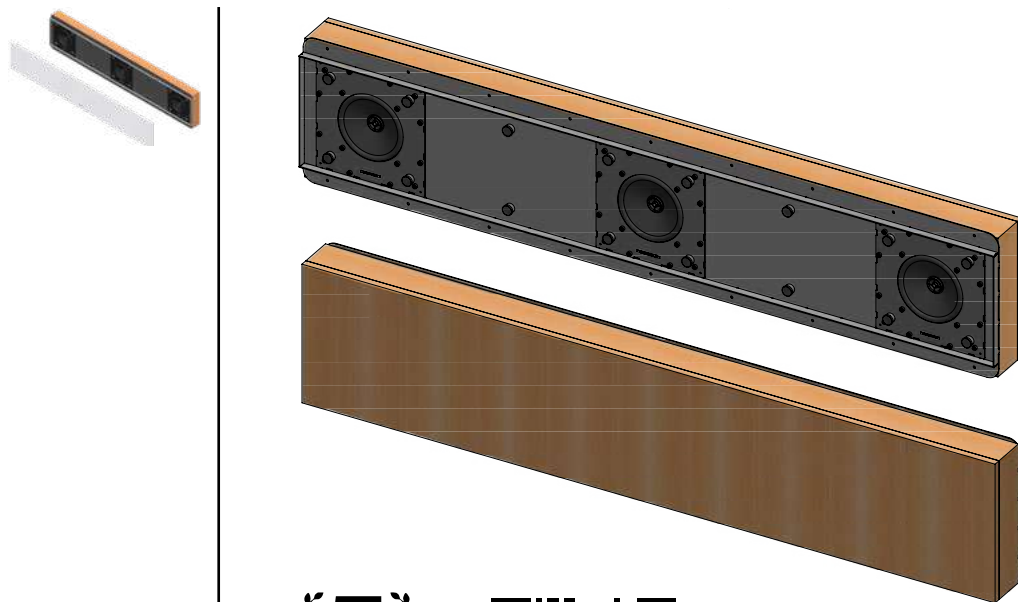




ARIA™ COLLECTION



**SCAN OR CLICK TO EXTEND  
YOUR GARVAN WARRANTY FOR FREE!**  
3 years included, with the option to add  
2 extra years at no additional cost.

## OVERVIEW DESCRIPTION – UNIQUE DESCRIPTION PRODUCT

KR3112 is a compact in-wall / in-ceiling soundbar designed to deliver a precise and well-balanced L+R+C front soundstage in a fully integrated architectural solution. Its free-air coaxial transducers ensure uniform dispersion, excellent dialogue intelligibility and controlled performance in residential and professional environments. Ideal for applications where discretion and clarity are essential, KR3112 combines accurate sound reproduction, reliability and minimalist design, disappearing completely into the architecture while maintaining a coherent and immersive listening experience. Designed and manufactured in Italy, it reflects Garvan Acoustic's focus on precision, integration and sound quality.

## KEY FEATURES

True L+R+C in-wall soundbar configuration  
Integrated front soundstage with clear dialogue and precise imaging.

Coaxial transducer design  
Uniform dispersion and consistent sound coverage.

Free-air installation  
Optimized for in-wall and in-ceiling mounting.

Balanced acoustic performance  
Designed for residential and professional applications.

High dialogue intelligibility  
Clear and natural speech reproduction.

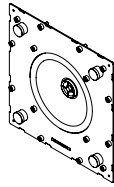
No mandatory external EQ  
Optional Garvan preset EQ, filters and protection available.

Flush architectural integration  
Suitable for drywall, concrete and modular walls.

Premium materials and finishes

Made in Italy

Warranty up to 5 years



<b>INSTALLATION NAME</b>	<b>L+R+C = KR112</b>	
Installation Type	In Wall / In Ceiling Speaker, free air	
Surface Compatibility	Suitable for installation in Concrete wall, Drywall, wooden panels, modular panel, and similar.	
Installation Requirements	Required support thickness: 12,5-25mm	
<b>SINGLE LOUDSPEAKER PERFORMANCE</b>		
AES Power Handling	50 W	
Continuous Power Handling ***	100 W	
Sensitivity 2,83V / 1m ****	88,5 dB	
Sensitivity 1W/1m ****	88,5 dB	
Calculated Maximum SPL @ 1m*	117,5 dB	
<b>TRANSDUCER</b>		
Type	Coaxial	
Nominal size	WF 130 mm + TW 14mm	
Nominal Impedance	8Ω	
Loudspeaker EQ	Not required, Garvan Preset EQ, Filter and protection available	
Recommended High-Pass Filter Protection	80 Hz with 48 dB/Oct. High pass Filter	
Frequency Response (-3 dB)	95 Hz – 20 kHz **	
Frequency Range (-10 dB)	56 Hz - 20 kHz	
Nominal Coverage Angle (1 KHz - 4 kHz)	110°	
Nominal Coverage (1 KHz – 10 kHz)	90°	
<b>PHYSICAL</b>		
Frame Material	zinc-plated metal	
Speaker support Material	Lacquered or galvanic metal support	
Cover	Lacquered or galvanic metal Grille/      Brushed stainless steel Grille / Fabric covered frame.	
<b>ENVIRONMENTAL FEATURES</b>		
Environment of Use	Indoor environments	
Operating Temperature Range *****		
environmental protection.		
Connectors	Push connector, mounted on speaker. Accepts 18 AWG (0.8 mm <sup>2</sup> ) to 15 AWG (2,08 mm <sup>2</sup> ) size wire.	
Maximum Ceiling Thickness		
Product Dimensions		
Ceiling Cutout		
Net Weight, Frame		
Net Weight, Loudspeaker		
Net Weight, Cover		

LOGISTICAL DATA			
Packaging dimensions			
Shipping Weight			
Quantity of products per package	1 to 2 based on logistics optimization per shipment		
MAINTENANCE			
Cleaning Method	microfiber cloth		
General precautions	do not use harsh cleaning products		
INCLUDED ACCESSORIES			
	Jig set		
OPTIONAL ACCESSORIES			
Transformer for high line voltage			
Transformer for high line voltage			
Cover installation kit			
Sound-absorbing material kit for installation			
<b>Cable size/load</b>	<b>8 ohm</b>	<b>4 ohm</b>	<b>2 ohm</b>
2 sq mm.	20m / 65ft.	10m / 32ft	5m / 16ft
2,5 sq mm.	30m / 100ft.	15m / 50ft	7,5m / 25ft
4 sq mm.	60m / 200ft.	30m / 100ft	15m / 50ft

#### NOTES:

\* Maximum SPL calculated from sensitivity and power handling specifications, using a signal with crest factor 4 (12dB), exclusive of power compression.

\*\* With dedicated preset

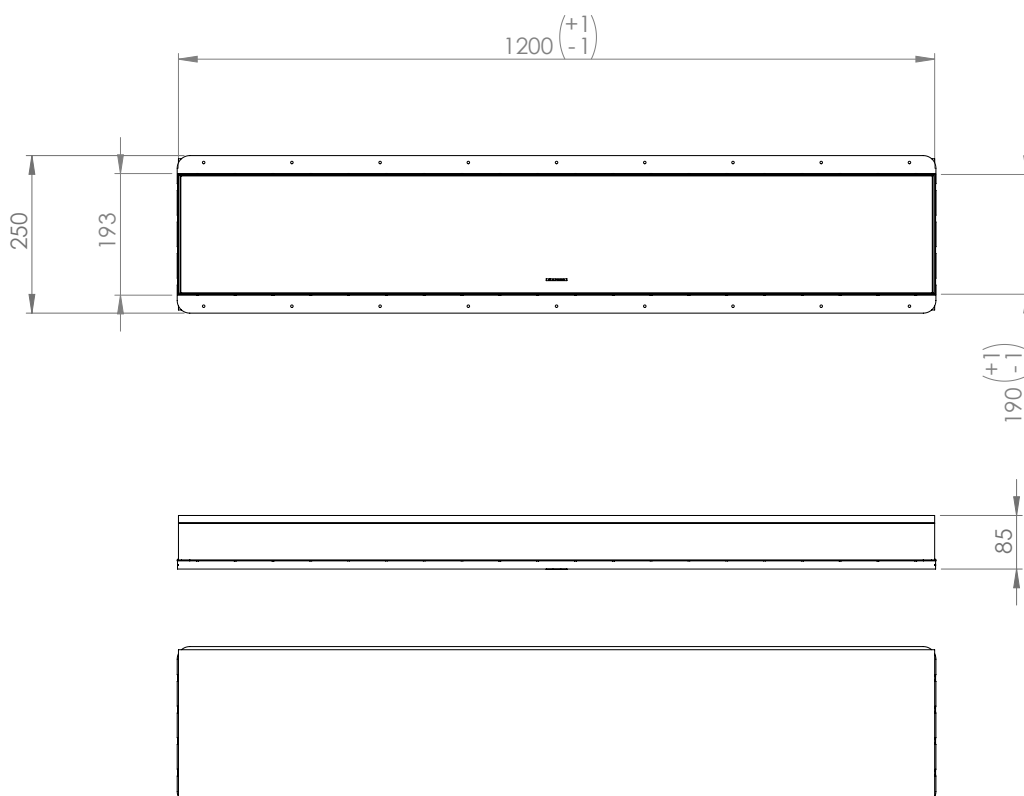
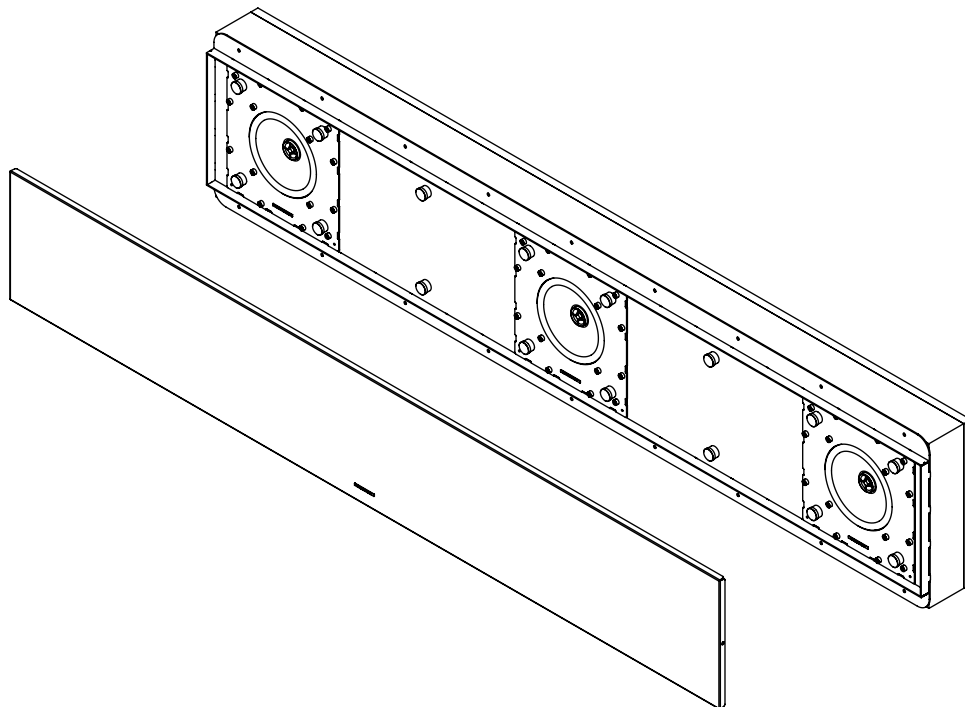
\*\*\* Power on Continuous Program is defined as 3 dB greater than the Nominal rating.

\*\*\*\* average SPL measured from 200 Hz to 1,5 kHz

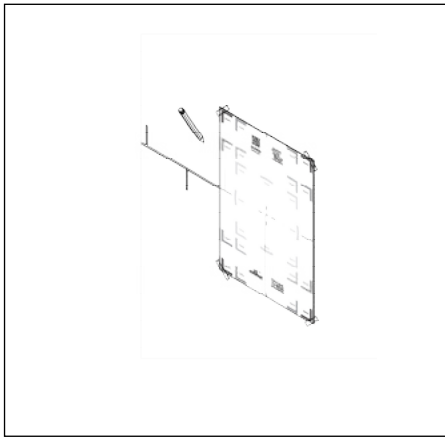
\*\*\*\*\* With dedicated ignition and maintenance process

### SOUNDBAR IN-WALL CODES

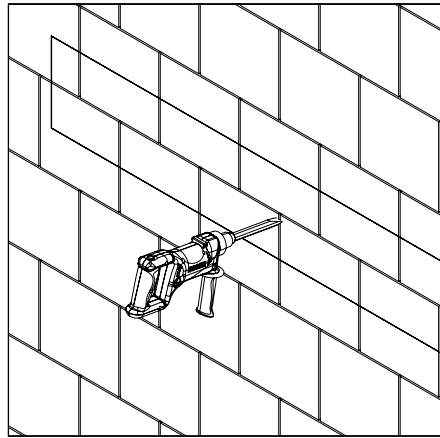
Soundbar **KR3112**  
Speaker L+R+C **KR112**



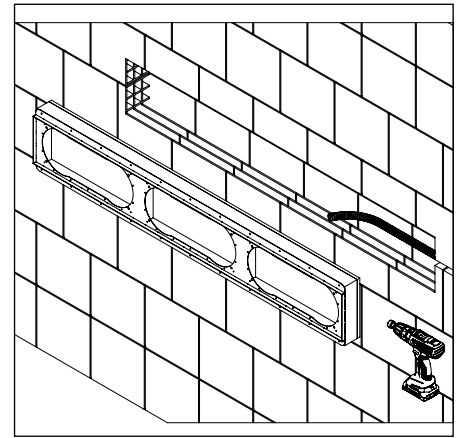
# INSTALLATION INSTRUCTIONS KR3112 Soundbar in-wall - concrete wall



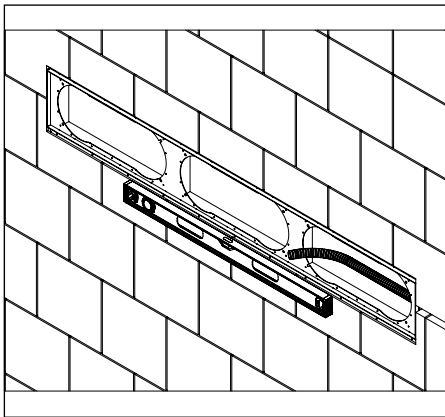
1



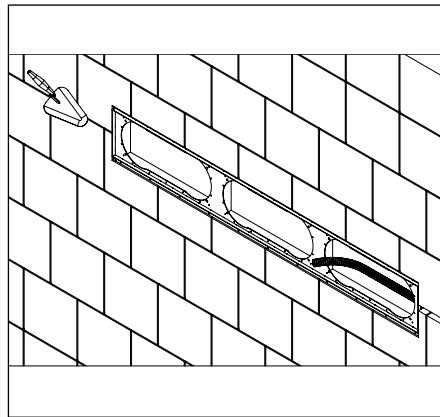
2



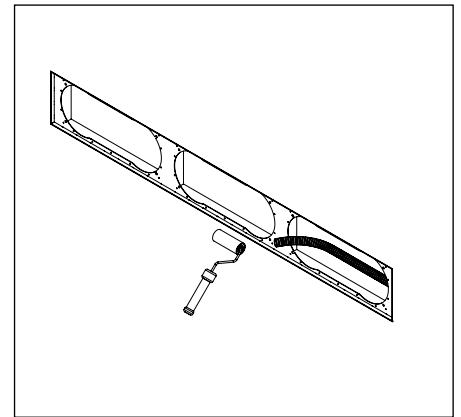
3



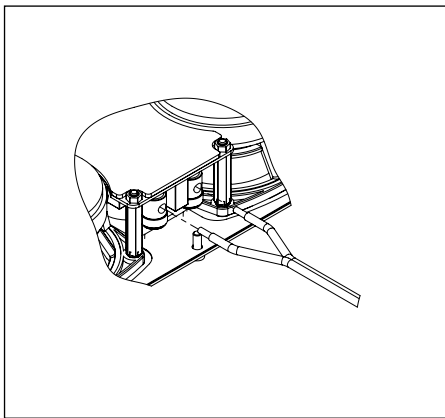
4



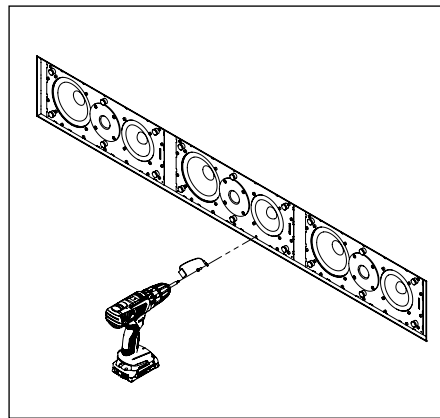
5



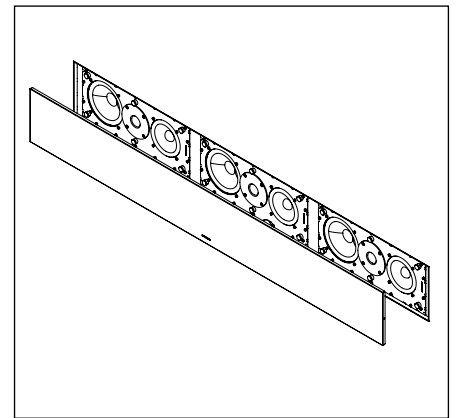
6



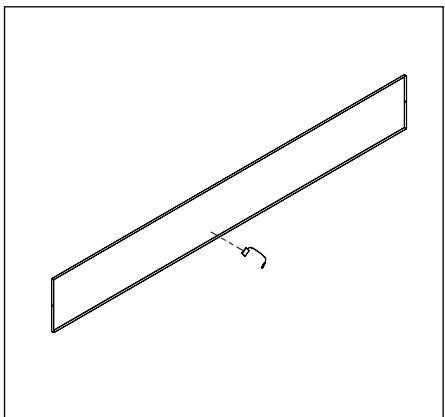
7



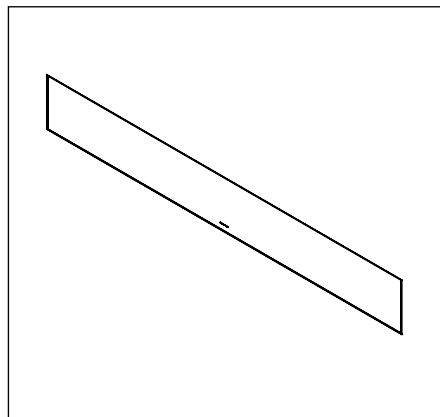
8



9

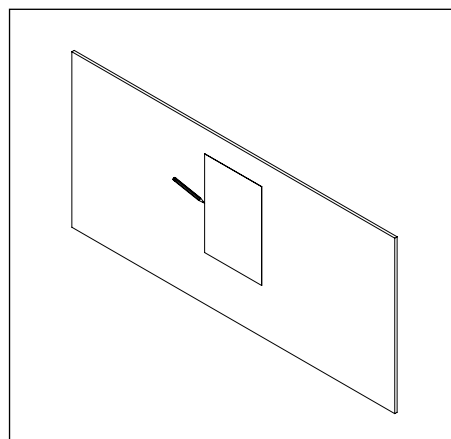


10

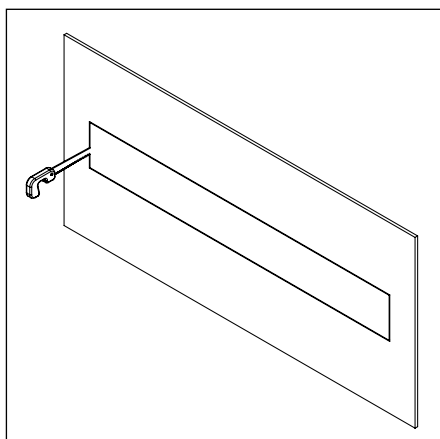


11

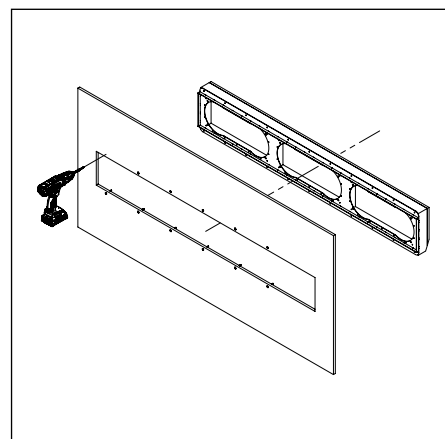
# INSTALLATION INSTRUCTIONS **KR3112 Soundbar in-wall - plasterboard**



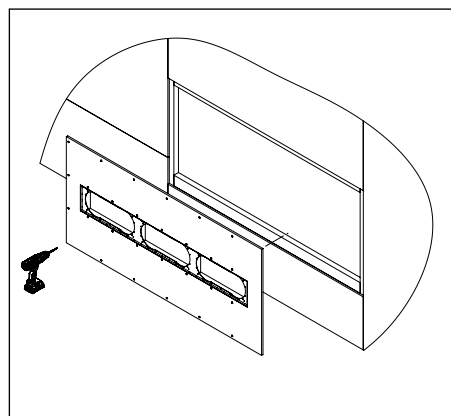
1



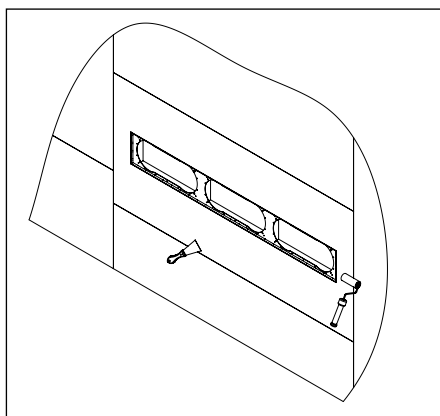
2



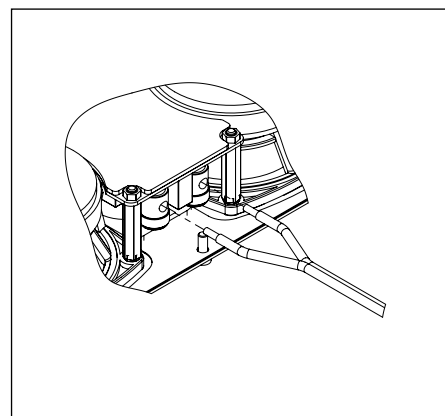
3



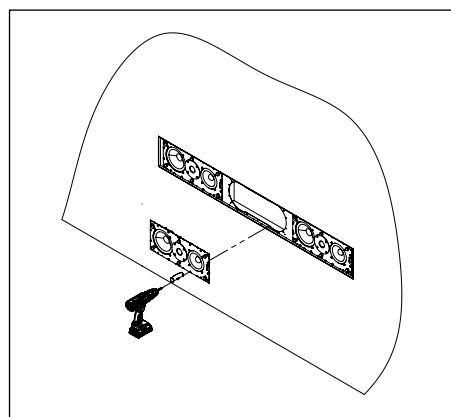
4



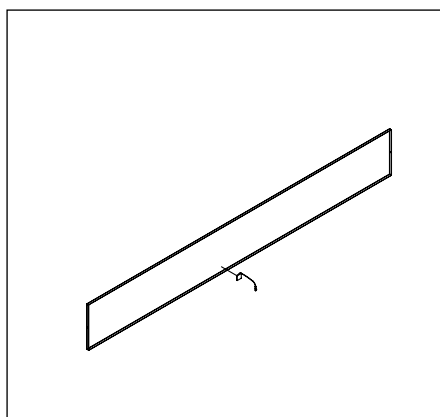
5



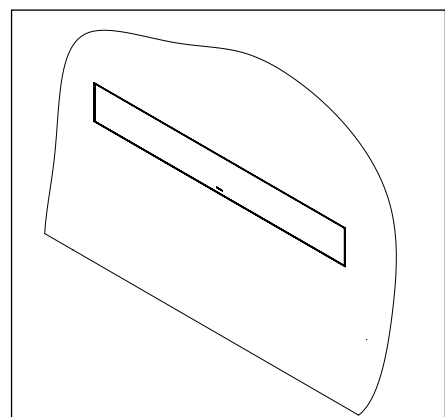
6



7



8



9