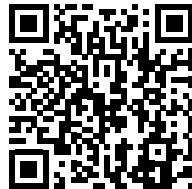
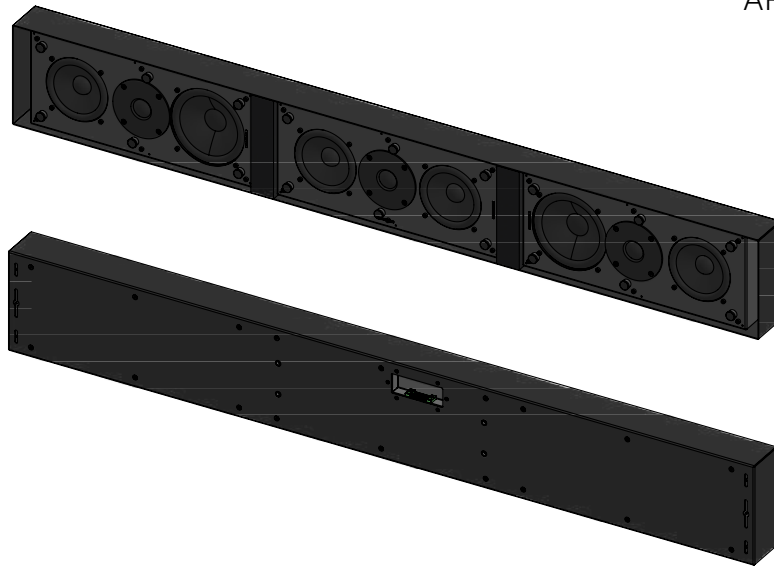




ARIA™ COLLECTION



**SCAN OR CLICK TO EXTEND
YOUR GARVAN WARRANTY FOR FREE!**
3 years included, with the option to add
2 extra years at no additional cost.

OVERVIEW DESCRIPTION – UNIQUE DESCRIPTION PRODUCT

KW3316 is a high-performance on-wall / on-ceiling soundbar designed to deliver a powerful and well-controlled L+R+C front soundstage in a single architectural solution. By combining high-output left and right channels with a dedicated, more powerful center speaker, it ensures excellent dialogue intelligibility, strong dynamics and uniform sound dispersion. Ideal for premium home cinema and professional environments, KW3316 offers clarity, control and reliability in a slim, discreet format that integrates seamlessly into the architecture. Designed and manufactured in Italy, it reflects Garvan Acoustic's focus on performance, precision and architectural integration.

KEY FEATURES

True L+R+C soundbar configuration
Optimized front soundstage with clear dialogue and accurate imaging.

High and controlled acoustic performance
Designed for demanding residential and professional applications.

Closed-box design
Predictable and consistent sound performance.

Wide sound dispersion
Uniform coverage across the listening area.

Excellent dialogue intelligibility
Natural and precise speech reproduction.

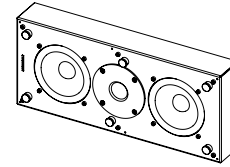
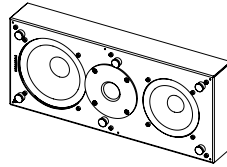
No mandatory external EQ
Optional Garvan preset EQ, filters and protection available.

Slim architectural integration
Suitable for on-wall or on-ceiling installation.

Premium materials and finishes

Made in Italy

Warranty up to 5 years



INSTALLATION NAME	L+R = KW316	C = KW313
Installation Type	On-Wall / On-Ceiling Speaker, closed box	On-Wall / On-Ceiling Speaker, closed box
Surface Compatibility	Suitable for installation in, concrete wall, Plasterboard, wooden panels, modular panel, and similar.	Suitable for installation in, concrete wall, Plasterboard, wooden panels, modular panel, and similar.
Installation Requirements	Support thickness suitable for product weight	Support thickness suitable for product weight
SINGLE LOUDSPEAKER PERFORMANCE		
AES Power Handling	80 W	160 W
Continuous Power Handling ***	160 W	320 W
Sensitivity 2,83V / 1m ****	87,5 dB	93 dB
Sensitivity 1W/1m ****	87,5 dB	90 dB
Calculated Maximum SPL @ 1m*	118,5 dB	124 dB
TRANSDUCER		
Type	2 Way	2 Way
Nominal size	2x WF 130 mm + TW 25mm	WF 130 mm + TW 25mm + RP 160mm
Nominal Impedance	4Ω	8Ω
Loudspeaker EQ	Not required, Garvan Preset EQ, Filter and protection available	Not required, Garvan Preset EQ, Filter and protection available
Recommended High-Pass Filter Protection	55 Hz with 48 dB/Oct. High pass Filter	40 Hz with 48 dB/Oct. High pass Filter
Frequency Response (-3 dB)	65 Hz – 20 kHz **	60 Hz – 20 kHz **
Frequency Range (-10 dB)	57 Hz - 20 kHz **	48 Hz - 20 kHz **
Nominal Coverage Angle (1 KHz - 4 kHz)	> 120°	> 120°
Nominal Coverage (1 KHz – 10 kHz)	120	120
PHYSICAL		
Frame Material	lacquered metal cabinet, galvanic or satin-finish steel	lacquered metal cabinet, galvanic or satin-finish steel
Speaker support Material	Black lacquered metal support	Black lacquered metal support
Cover	Lacquered or galvanic metal Grille/ Brusced stainless steel Grille / Fabric covered frame.	Lacquered or galvanic metal Grille/ Brusced stainless steel Grille / Fabric covered frame.
ENVIRONMENTAL FEATURES		
Environment of Use	Indoor environments	Indoor environments
Operating Temperature Range *****		
environmental protection.		
Connectors	Push connector, mounted on crossover and on speaker coax. Accepts 18 AWG (0.8 mm ²) to 11 AWG (4,17 mm ²) size wire.	Push connector, mounted on crossover and on speaker coax. Accepts 18 AWG (0.8 mm ²) to 11 AWG (4,17 mm ²) size wire.
Maximum Ceiling Thickness		

Product Dimensions		
Ceiling Cutout		
Net Weight, Frame		
Net Weight, Loudspeaker		
Net Weight, Cover		

LOGISTICAL DATA

Packaging dimensions		
Shipping Weight		
Quantity of products per package	1 to 2 based on logistics optimization per shipment	1 to 2 based on logistics optimization per shipment

MAINTENANCE

Cleaning Method	microfiber cloth	microfiber cloth
General precautions	do not use harsh cleaning products	do not use harsh cleaning products

INCLUDED ACCESSORIES

	Jig set	Jig set
--	---------	---------

OPTIONAL ACCESSORIES

Transformer for high line voltage		
Transformer for high line voltage		
Cover installation kit		
Sound-absorbing material kit for installation		

Cable size/load	8 ohm	4 ohm	2 ohm
2 sq mm.	20m / 65ft.	10m / 32ft	5m / 16ft
2,5 sq mm.	30m / 100ft.	15m / 50ft	7,5m / 25ft
4 sq mm.	60m / 200ft.	30m / 100ft	15m / 50ft

NOTES:

* Maximum SPL calculated from sensitivity and power handling specifications, using a signal with crest factor 4 (12dB), exclusive of power compression.

** With dedicated preset

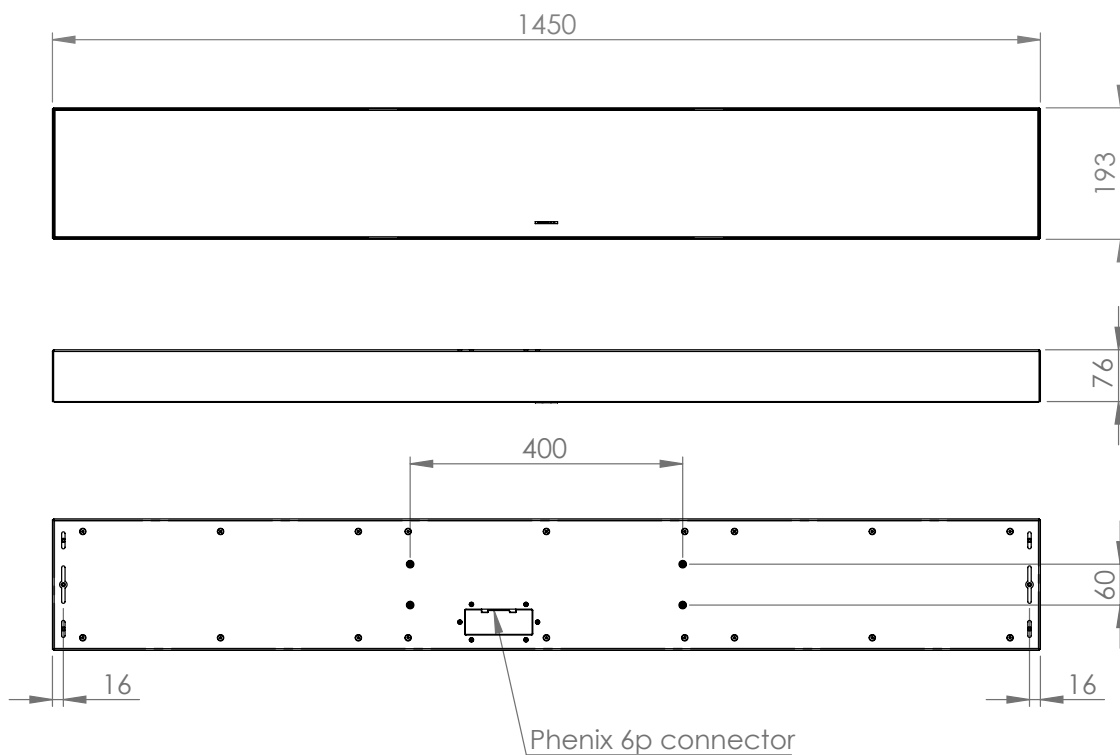
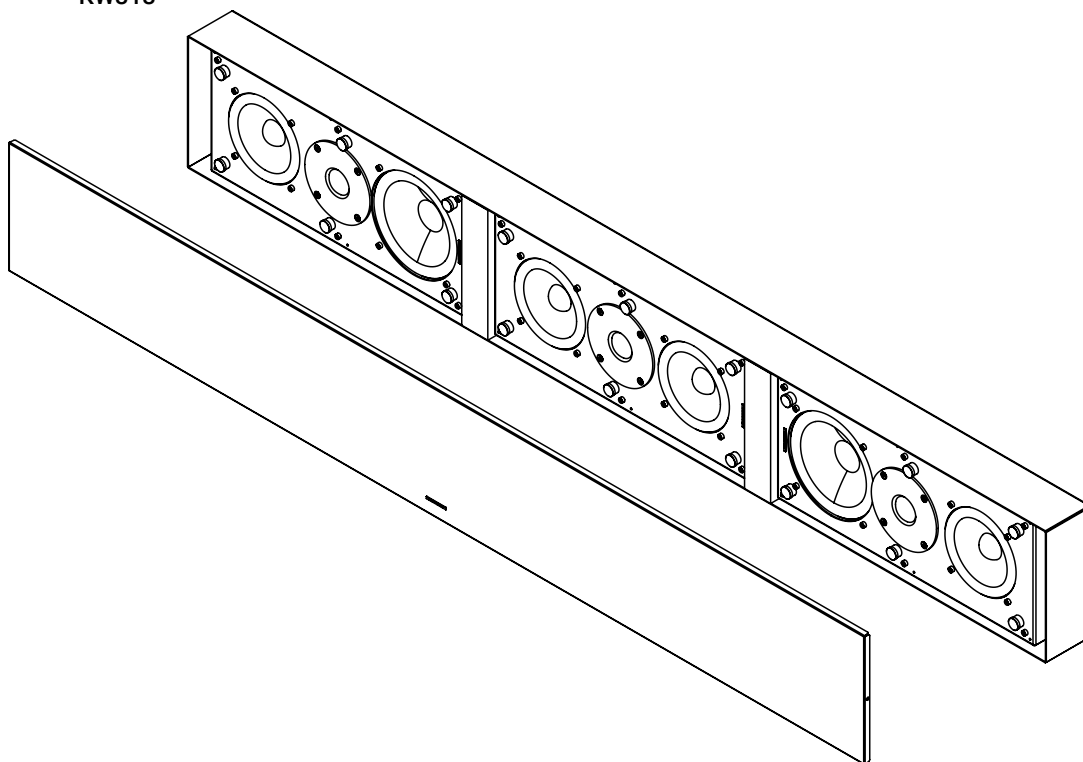
*** Power on Continuous Program is defined as 3 dB greater than the Nominal rating.

**** average SPL measured from 200 Hz to 1,5 kHz

***** With dedicated ignition and maintenance process

SOUNDBAR ON-WALL CODES

Soundbar	KW3316
Speaker L+R	KW316
Speaker C	KW313



INSTALLATION INSTRUCTIONS **KW3316 Soundbar on-wall**

