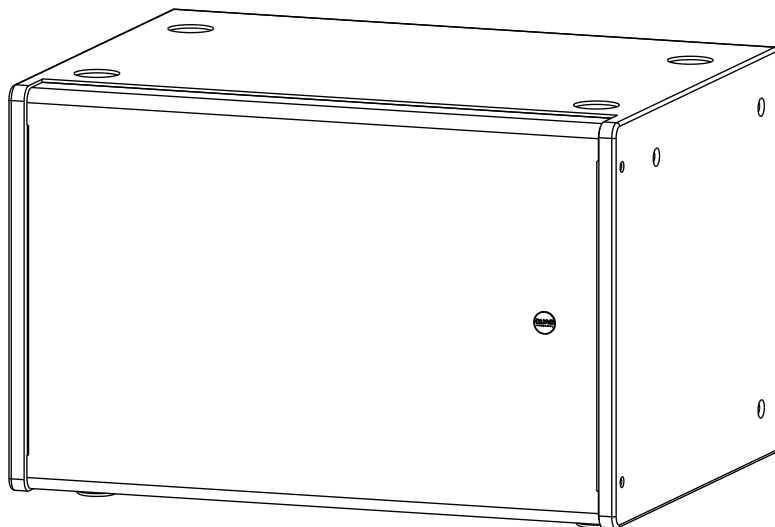
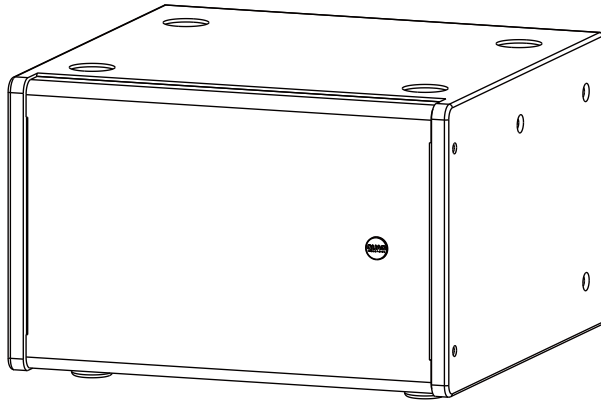


QI SUB 8 QI SUB 12

COMPACT INSTALLATION SUBWOOFERS



The **SUB 8** and **SUB 12** are compact passive subwoofers designed to add punch and depth to fixed installations such as cafés, restaurants and retail spaces.

With frequency responses extending down to 41 Hz (SUB 8) and 38 Hz (SUB 12), they deliver clean, controlled low-end performance.

Built with durable MDF enclosures finished in black or white Tough-Tone paint, both models feature robust steel grilles and are supplied with wall brackets. The cabinets also include multiple rigging points for flexible mounting.

Delivering powerful low-end from a compact and discrete enclosure.

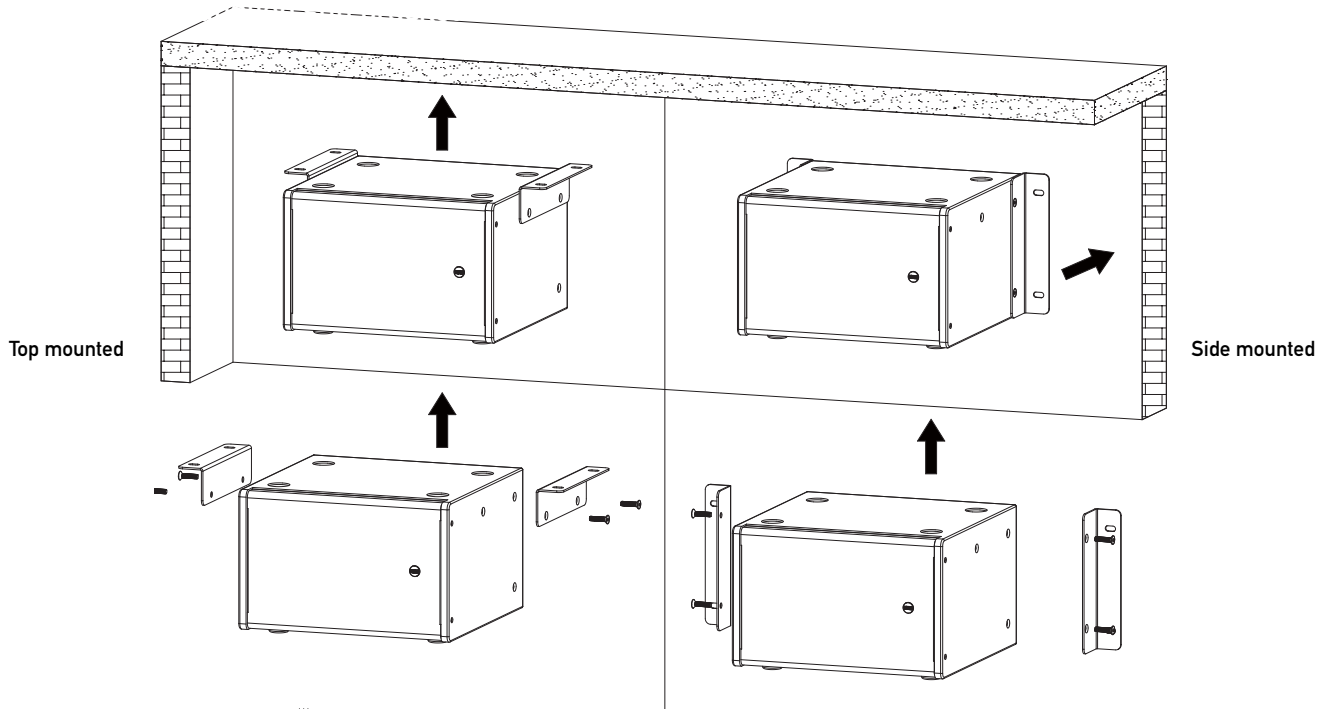
- Compact passive subs for cafés, restaurants, and retail spaces
- Extended low-freq response: 41 Hz (SUB 8) / 38 Hz (SUB 12)
- Clean, controlled bass with high SPL performance
- Black or white Tough-Tone paint finish
- Supplied with brackets
- Reliable high-power handling for professional fixed installations



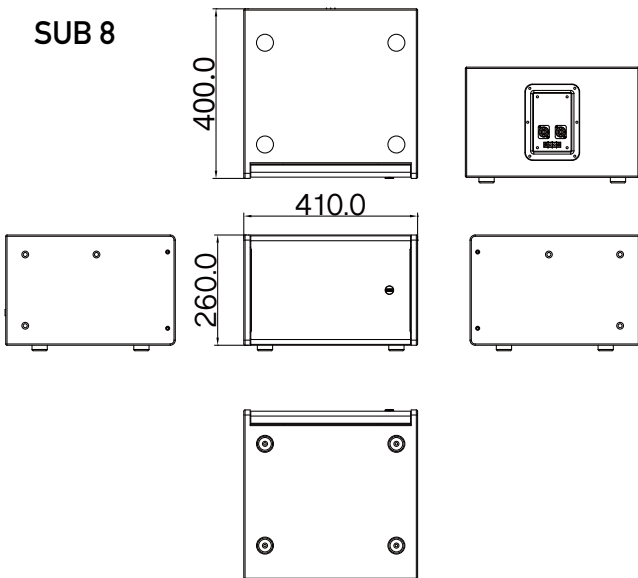
To get the best performance from your QUAD Industrial loudspeakers, always pair them with a QUAD Industrial amplifier. Using our DSP preset library ensures optimum protection, clarity and control, giving you consistent results in every installation.



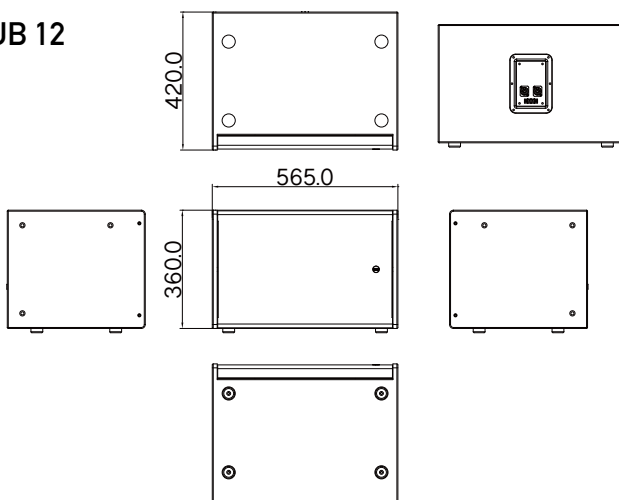
Rigging, suspending and mounting should only be attempted by experience qualified professionals. Incorrect usage can result in damage to equipment and property, injury and even death. Under no circumstances should you attempt to rig, suspend or mount these speakers unless you are fully qualified and certified to do so by relevant local, state and national authorities. If you are not properly qualified or do not know of pertinent regulations consult qualified personnel for advice. Consult a structural engineer before suspending a speaker system and ensure that the total weight of your system can be held by the truss or mounting surface.



SUB 8



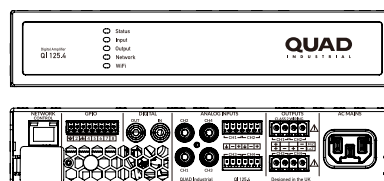
SUB 12



Model Name	QI SUB 8	QI SUB 12
System Type	Compact subwoofer	Compact subwoofer
Frequency Response (+/-3 dB) (With preset)	50 Hz - 150 Hz	45 Hz - 150 Hz
Frequency Range (-10 dB) (With preset)	41 Hz - 200 Hz	38 Hz - 200 Hz
Sensitivity (2.83 V/1 m) (Half Space)	97 dB	99 dB
Calculated Maximum SPL (2.83 V @ 1 m)	127 dB	130 dB
System Rated Impedance	8 Ω	8 Ω
Low Frequency Transducer		
Size	8"	12"
Voice Coil Size	2.5 "	2.5 "
System Power		
Continuous (W)	250 W	350 W
Programme (W)	500 W	700 W
Peak (W)	1000 W	1400 W
Recommended HPF = BW 18 dB/oct.	28 Hz	33 Hz
Recommended Crossover frequency LR 24 dB/oct.	125 Hz	125 Hz
Accessories	2 pcs Sub Bracket	
Input Connector	2 x 4 Pole speaker connector / Barrier Strip	
Rigging	M8 x 6	
Enclosure		
Enclosure Material and finish	MDF	MDF
Colour Options	Black or White Tough-Tone paint	Black or White Tough-Tone paint
Grille Material & Finish	Powder coated steel	Powder coated steel
Dimensions - Unpacked		
Height	260 mm	360 mm
Width	410 mm	565 mm
Depth	400 mm	420 mm
Dimensions - Packed		
Height	320 mm	420 mm
Width	365 mm	620 mm
Depth	365 mm	485 mm
Weight		
Net Weight	16.3 kg	23.2 kg
Gross Weight (Includes Bracket)	19.0 kg	26.5 kg

Using a QUAD Industrial QI 125.4 Digital Amp completes the system....

- Preset library for QUAD Industrial loudspeakers
- QI CORE control software app for easy system management
- Flexible installation modes (Hi-Z / Lo-Z and Power Sharing)
- Embedded DSP with FIR/IIR filters



We design loudspeakers and amplifiers built specifically for fixed installation. Our portfolio spans ceiling, pendant, wall-mount and compact subwoofers, all engineered to deliver clarity, coverage and reliability. With discreet form factors, robust build and flexible power tap options, our systems integrate seamlessly into restaurants, retail environments and commercial spaces. Paired with dedicated QUAD Industrial amplifiers, they provide a complete audio solution that's simple to specify, install and scale. From background ambience to impactful full-range sound, QUAD Industrial products combine professional performance with everyday practicality - making them the perfect choice for contractors and integrators worldwide.