



Your full user manual can also be downloaded from www.wharfedalepro.com

XLA-308

QUICK START GUIDE

Congratulations on the purchase of your XLA system. We take great pride in engineering and building every Wharfedale Pro product so thank you for entrusting us with your audio. From the time Gilbert Briggs built his first Wharfedale loudspeaker in 1932, to the present day, we have maintained the same standard of quality in components, workmanship and performance. For safety reasons and to get the most from your new loudspeaker please take the time to read this guide completely.



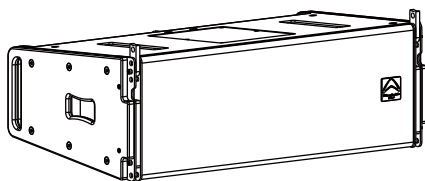
To get the most from your system and to protect it from potential damage, always use with Factory DSP Presets.

Preset libraries are available for many of our DSP equipped amps and processors.

These presets can be downloaded from <https://www.wharfedalepro.com/download/wharfedale-pro-preset-library/>

For system design use EASE Focus software. (<https://www.afmg.eu/en/ease-focus>)

The EASE library can be downloaded from <https://www.wharfedalepro.com/download/wharfedale-pro-ease-library/>

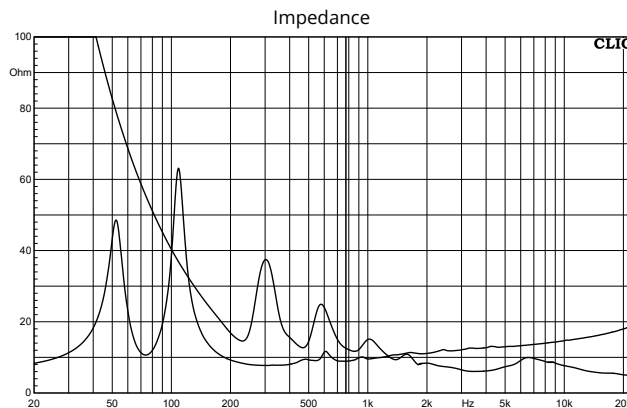
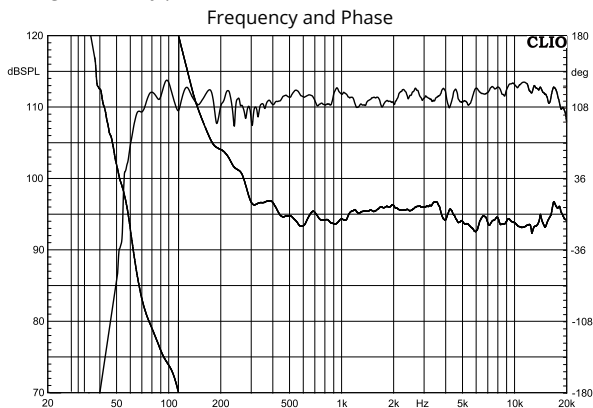


Special Features

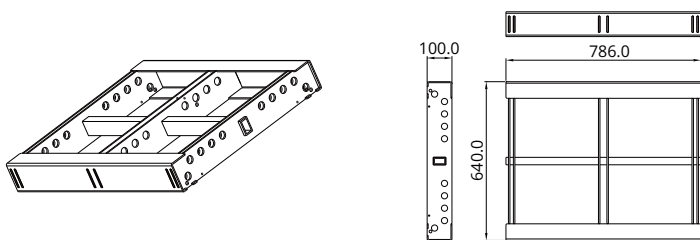
- Copper Shorting cap (LF)
- Neodymium inside slug magnet (LF)
- Phase Plugs (LF)
- Time coherent coaxial (MHF)
- EVO-FLOW Wave guide (MHF)

Response Graphs

* Using FIR Factory preset



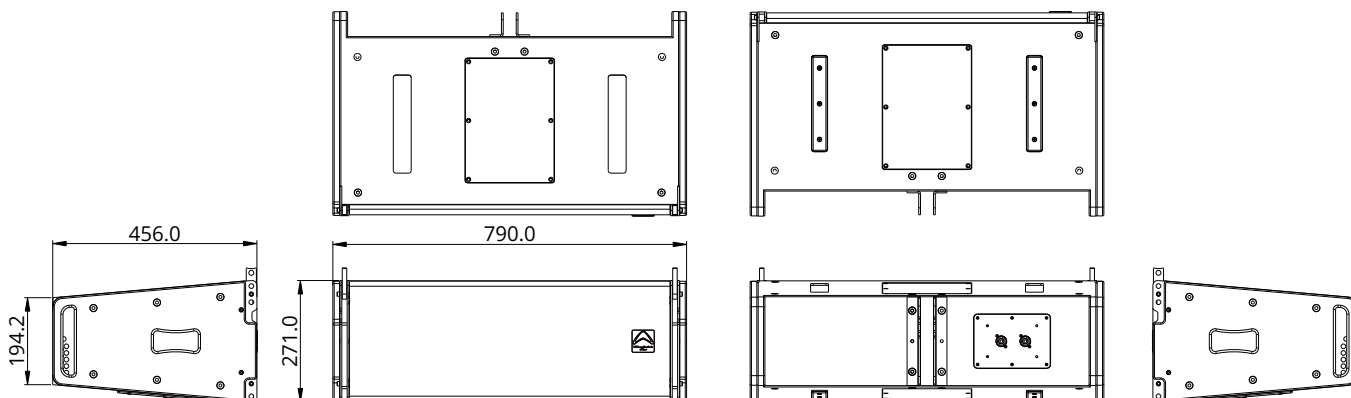
Optional XLA Common Fly Frame



The optional Common Fly Frame allows for 16 x XLA-308 or equivalent weight of mixed element with XLA-118SUB 10:1 safety factor WLL.

Net weight: 28.22 Kg / 62.1 lbs
Gross weight: 30.2 Kg / 66.4 lbs

Dimensional Drawings



Specifications

Model Name	XLA-308
Design	Line Array Element
System Type	3 ways Bi-amplified
Configuration	Three-Way
Frequency Response (+/-3 dB)	58 Hz - 20 kHz
Frequency Range (-10 dB)	40 Hz - 25 kHz
Sensitivity 2.83 V / 1 m	112 dB*
Calculated Maximum SPL @1 m	140 dB*
System Peak SPL	146 dB**
System Rated Impedance	LF: 8 Ω - MHF: 8 Ω
Low Frequency Transducer	
Size	2 x 8"
Voice Coil Size (mm / inches)	65 mm / 2.5" coil
LF Frame Material	Cast Aluminium
Mid-High Frequency Transducer	
MF Driver Type	Compression Driver (Coaxial)
HF Driver Type	Compression Driver (Coaxial)
MF Voice Coil Size (mm / inches)	76 mm / 3"
HF Voice Coil Size (mm / inches)	51 mm / 2"
Exit Size (mm / inches)	36 mm / 1.4"
Diaphragm Material	HT Polymer
Waveguide Type	EVO-FLOW
Nominal Coverage (H x V)	110 H x 10 V
Driver Brand	B&C
Power (AES2) - LF Transducer	
System Continuous Power	700 W
System Programme Power	1400 W
System Peak Power	2800 W
Crossover frequency	500 Hz
Recommended HPF = BW 18 dB/oct.	55 Hz
Power (AES2) - MF & HF Transducer	
System Continuous Power	150 W
System Programme Power	300 W
System Peak Power	600 W
Crossover frequency	500 Hz
Input Connector	2x speakON NL4 (2 rear)
Rigging & Hardware	3 points Integral adjustable rigging
Vertical Splay Angle Range	0°-10° in 1 degree step
Optional Accessories	Dolly Board
Hardware	XLA Common Fly Frame
Handle	1 side (2 pcs) + 2 back
Enclosure	Trapezoidal side profile
Enclosure Material and Finish	15 / 18 mm plywood with Tough-Tone finish
Colour	Black
Grille Material & Finish	Powder coated perforated steel
Dimensions - Unpacked	
Height Front	269.6 mm / 10.6"
Height Rear	194.2 mm / 7.64"
Width	790.0 mm / 31.1"
Depth	430.7 mm / 16.95"
Dimensions - Packed	
Height	885 mm / 34.84"
Width	526 mm / 20.7"
Depth	341 mm / 13.4"
Weight	
Net Weight	33.0 Kg / 72.6 lbs
Gross Weight	36.0 Kg / 79.2 lbs

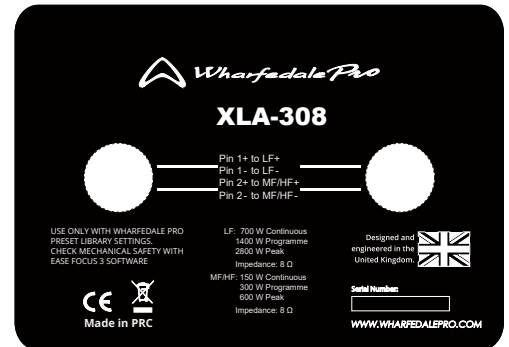
* Level at 1 m using pink noise with crest factor 2, with dedicated preset.

** Level at 1 m using pink noise with crest factor 4, with dedicated preset.

- USE ONLY WITH WHARFEDALE PRO PRESET LIBRARY SETTINGS.

- CHECK MECHANICAL SAFETY WITH EASE FOCUS 3 SOFTWARE.

Pin out connections



Pin 1+	to	LF+
Pin 1-	to	LF-
Pin 2+	to	MF / HF+
Pin 2-	to	MF / HF-

WHARFEDALE PRO LIMITED WARRANTY

Wharfedale Pro products are warranted of manufacturing or material defects for a period of three years from the original date of purchase. In the event of malfunction, contact your authorised Wharfedale Pro dealer or distributor for information.

Please be aware that the warranty details may differ from country to country. Contact your dealer or distributor for information (available at www.wharfedalepro.com). These terms do not infringe your statutory rights.



WHARFEDALE PRO

IAG House, 13/14 Glebe Road, Huntingdon, Cambridgeshire, PE29 7DL, UK

www.wharfedalepro.com

Wharfedale Pro reserve the right to alter or improve specifications without notice.

All rights reserved © 2025 Wharfedale Pro. Wharfedale Pro is a member of the IAG Group.

September 2025